



Toyota Multi-kit 2000-Up

Visit MetraOnline.com for up-to-date vehicle specific applications.

KIT FEATURES

- ISO DIN radio provision with pocket
- ISO DDIN radio provision

KIT COMPONENTS

- A) Radio housing trim panel • B) Bracket #1 • C) Bracket #2 • D) Bracket #3 • E) Bracket #4 • F) Bracket #5 • G) Pocket
- H) (4) #8 x 3/8" truss-head Phillips screws

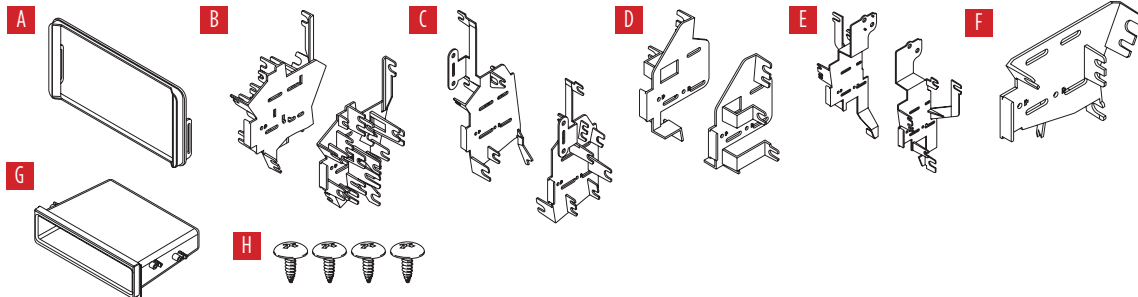


TABLE OF CONTENTS

See inside front cover

APPLICATIONS

See inside front cover

WIRING & ANTENNA CONNECTIONS (sold separately)

Wiring Harness: 70-1761 harness or TYTO-01 premium interface

Antenna Adapter: 40-LX11 (select models only)

TOOLS REQUIRED

- Panel removal tool • Phillips screwdriver
- 10mm socket wrench

CAUTION! All accessories, switches, climate controls panels, and especially air bag indicator lights must be connected before cycling the ignition. Also, do not remove the factory radio with the key in the on position, or while the vehicle is running.

APPLICATIONS

Pontiac			
Vibe	2003-2008	Toyota	
		4 Runner	2003-2009
		<i>(excluding Limited)</i>	2017-Up
Scion		86	2000-2005
FR-S	2013-2016	Celica	2009-2013
iQ	2012-2015	Corolla <i>(with NAV)</i>	2000-2005
tC	2005-2016	Echo	2007-2014
xA	2004-2006	FJ	2001-2007
xB	2004-2015	Highlander	2013
xD	2008-2014	Highlander	2003-2008
		Matrix	2000-2005
		MR2 Spyder	2001-2005
Subaru		RAV 4	2003-2007
BRZ	2013-2015	Sequoia	2003-2006
		Tundra	2012-2017
		Yaris	2007-2010
		Yaris <i>(3-door)</i>	2007-2010
		Yaris <i>(4-door)</i>	

TABLE OF CONTENTS

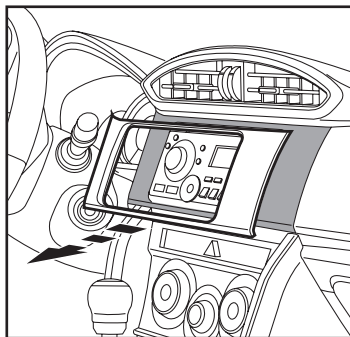
Dash Disassembly	
- Scion FR-S 2013-2016, Subaru BRZ 2013-2015, Toyota 86 2017-Up.....	3
- Scion iQ 2012-2015	3
- Scion tC 2005-2010	4
- Scion tC 2011-2016.....	4
- Scion xA 2004-2006.....	5
- Scion xB 2004-2007	6
- Scion xB 2008-2015	6
- Scion xD 2008-2014.....	7
- Toyota 4 Runner (excluding Limited) 2003-2009.....	7-8
- Toyota Celica 2000-2005	8
- Toyota Corolla (with NAV) 2009-2013.....	9
- Toyota Echo 2000-2005	10
- Toyota FJ 2007-2014.....	11
- Toyota Highlander 2001-2007	12
- Toyota Highlaander 2013	13
- Toyota MR2 Spyder 2000-2005.....	14
- Toyota Matrix, Pontiac Vibe 2003-2008.....	14
- Toyota RAV 4 2001-2005	15
- Toyota Sequoia 2003-2007	15
- Toyota Tundra 2003-2006.....	16
- Toyota Yaris (3-door and 4-door) 2007-2010.....	17
- Toyota Yaris 2012-2017.....	17
Kit Assembly	
- Bracket tab layouts	18-24
- ISO DIN radio provision with pocket.....	25
- ISO DDIN radio provision.....	26

DASH DISASSEMBLY

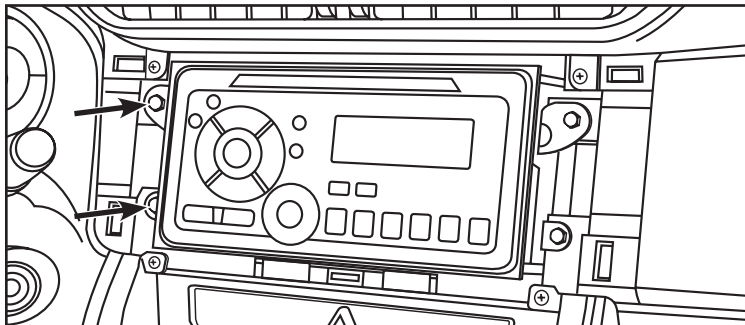
**Scion FR-S 2013-2016,
Subaru BRZ 2013-2015,
Toyota 86 2017-Up**

1. Unclip and remove the panel from around the radio. (Figure A)
2. Remove (4) 10mm bolts, then remove the factory radio. (Figure B)

Continue to Kit Assembly



(Figure A)

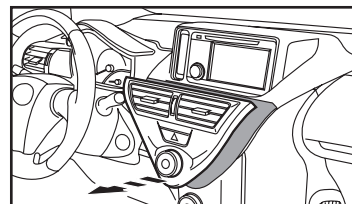


(Figure B)

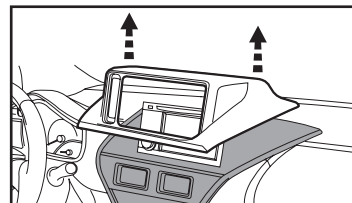
Scion iQ 2012-2015

1. Unclip and remove the climate control panel. (Figure A)
2. Unclip and remove the panel from around the radio. (Figure B)
3. Remove (4) 10mm bolts and remove factory radio. (Figure C)

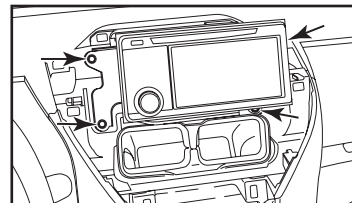
Continue to Kit Assembly



(Figure A)



(Figure B)



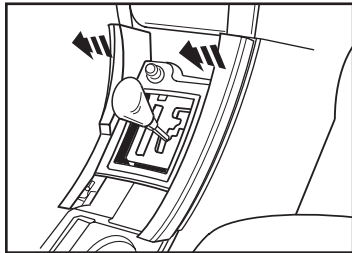
(Figure C)

DASH DISASSEMBLY

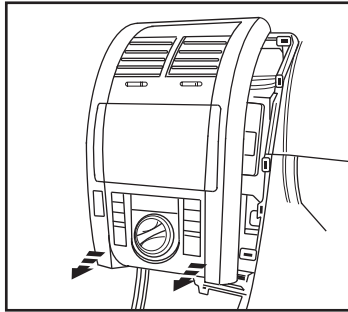
Scion tC 2005-2010

1. Unsnap trim from around shifter, not necessary to completely remove. (Figure A)
2. Unsnap and remove panel from around radio, including climate controls and radio door. (Figure B)
3. Remove (2) 10mm nuts from the top mounting locations and (2) Phillips screws from the bottom mounting locations to remove the radio. (Figure C)

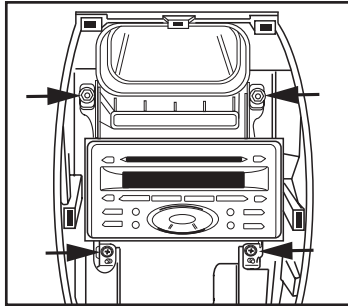
Continue to Kit Assembly



(Figure A)



(Figure B)

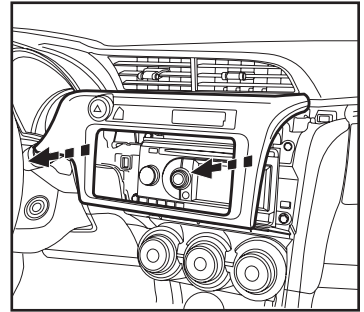


(Figure C)

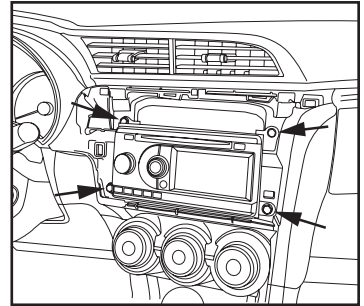
Scion tC 2011-2016

1. Unsnap and remove the panel from around the radio. (Figure A)
2. Remove (4) 10mm bolts and remove factory radio. (Figure B)

Continue to Kit Assembly



(Figure A)

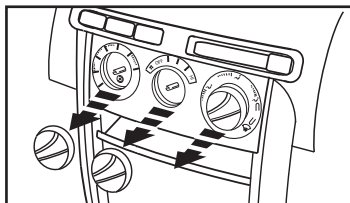


(Figure B)

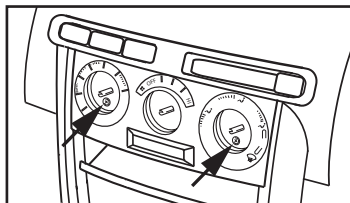
DASH DISASSEMBLY

Scion xA 2004-2006

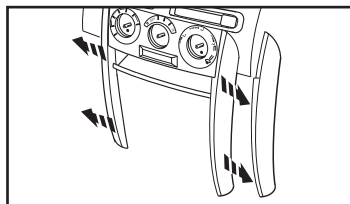
1. Pull outward on the (3) climate control knobs and remove. (Figure A)
2. Remove (2) Phillips screws from behind the outer two climate knobs. (Figure B)
3. Unsnap and remove the trim pieces on each side of the climate control/ashtray/pocket assembly. (Figure C)



(Figure A)



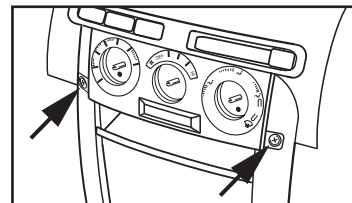
(Figure B)



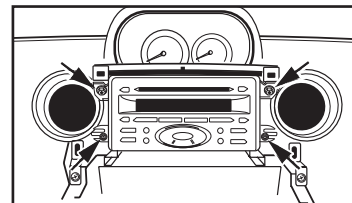
(Figure C)

4. Remove (2) Phillips screws from the bottom of the climate control/radio trim panel and unsnap and remove the entire panel. (Figure D)
5. Remove (4) 10mm bolts securing the radio. Unplug and remove the radio. (Figure E)

Continue to Kit Assembly



(Figure D)



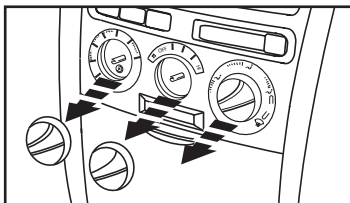
(Figure E)

DASH DISASSEMBLY

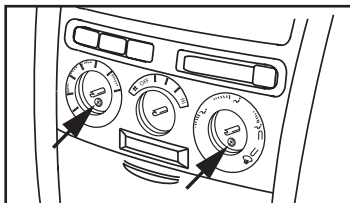
Scion xB 2004-2007

1. Pull outward on the (3) climate control knobs and remove. (Figure A)
2. Remove (2) Phillips screws from behind the outer (2) knobs. (Figure B)
3. Unsnap and remove the entire panel surrounding the climate controls and the radio. (Figure C)
4. Remove (4) 10mm bolts securing the radio. Unplug and remove the radio.

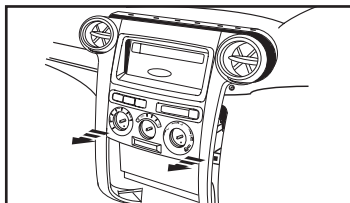
Continue to Kit Assembly



(Figure A)



(Figure B)

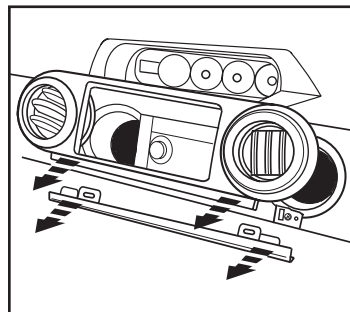


(Figure C)

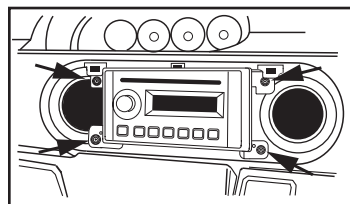
Scion xB 2008-2015

1. Unclip and remove the trim panel around the radio including the A/C vents. (Figure A)
2. Unclip and remove the trim panel at the bottom edge of the dash cavity. (Figure A)
3. Remove (4) 10mm bolts securing the radio. Unplug and remove the radio. (Figure B)

Continue to Kit Assembly



(Figure A)



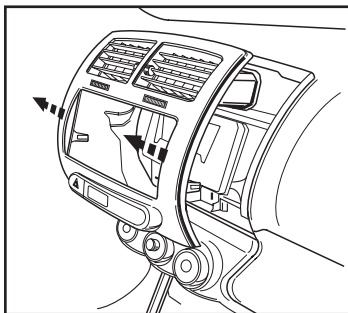
(Figure B)

DASH DISASSEMBLY

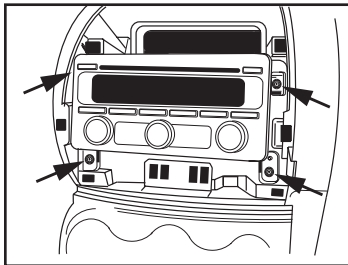
Scion xD 2008-2014

1. Unclip radio trim panel. Unplug and remove panel. (Figure A)
2. Remove (4) Phillips screws securing the radio. Unplug and remove radio. (Figure B)

Continue to Kit Assembly



(Figure A)

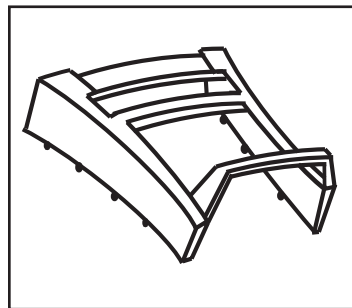


(Figure B)

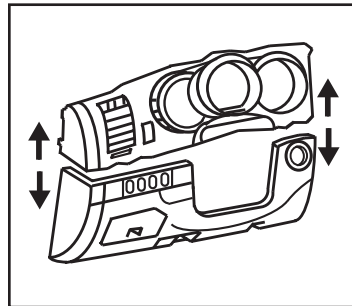
Toyota 4 Runner 2003-2009 (excluding Limited)

1. Unsnap and remove trim from around shifter.
2. Unsnap and remove trim covers from around center console pocket edge at front and rear of console.
3. Unsnap and remove center console cover. (Figure A)
4. Unsnap trim ring from around ignition key cylinder.
5. Remove (1) 10mm bolt from bottom right of panel below steering column. Unsnap panel and pull away to gain access behind panel. (Figure B)
6. Remove (1) 10mm bolt on bottom left of center panel behind panel below steering column. (Figure B)

Continued on the next page



(Figure A)



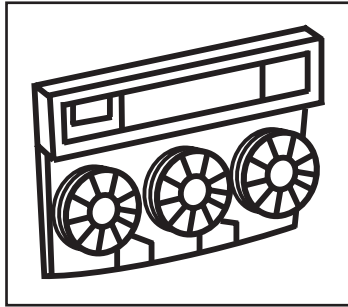
(Figure B)

DASH DISASSEMBLY

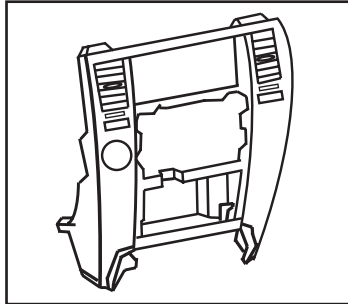
Toyota 4 Runner 2003-2009 (excluding Limited) (Cont)

7. Remove (1) 10mm bolt beneath climate control behind pocket door. Unsnap and remove climate control. (Figure C)
8. Remove (2) 10mm bolts beneath radio behind climate controls.
9. Unsnap and remove entire center panel around radio. (Figure D)
10. Remove (2) 10mm bolts securing radio to remove.

Continue to Kit Assembly



(Figure C)

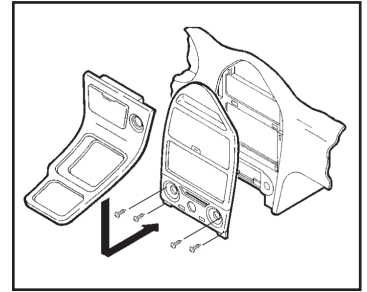


(Figure D)

Toyota Celica 2000-2005

1. Unclip and remove the gear shifter trim bezel and remove (2) Phillips screws exposed below the climate controls.
2. Pull off climate control knobs and remove (2) Phillips screws exposed.
3. Unclip the climate control/factory radio trim bezel and remove. Remove (4) 10mm screws securing the factory radio and disconnect the wiring.

Continue to Kit Assembly



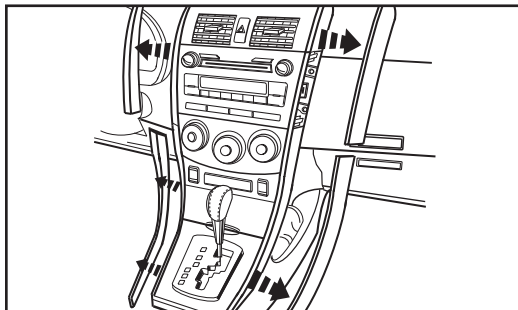
DASH DISASSEMBLY

Toyota Corolla (with NAV) 2009-2013

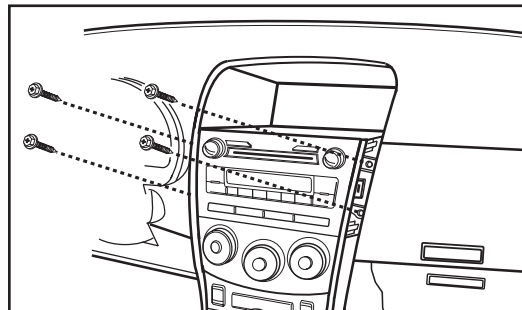
1. Unclip and remove the (4) side trim panels from the right and left side of the radio and a/c controls. (Figure A)
2. Unclip and remove the a/c vent panel above the factory radio. (Figure B)
3. Remove (4) 10mm bolts securing the radio. (Figure C)
4. Remove (8) screws securing the brackets to the factory radio and remove the brackets. (Figure D)
5. Remove (4) plastic clips from the back of the factory radio.

Note: Retain clips for re-use during kit assembly.

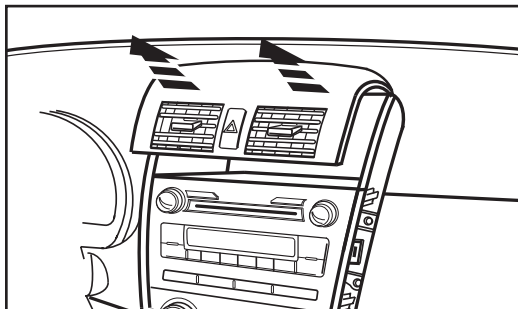
Continue to Kit Assembly



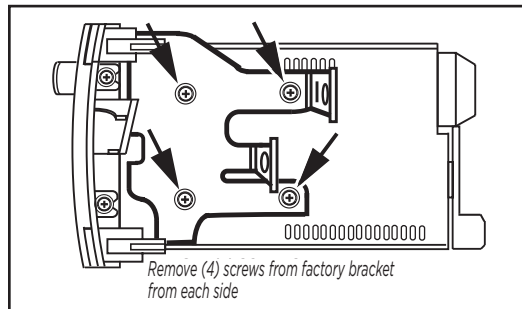
(Figure A)



(Figure C)



(Figure B)



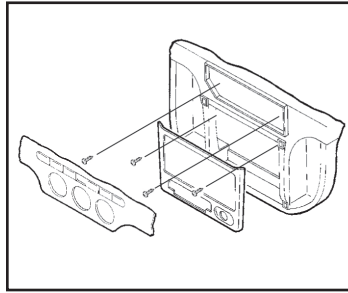
(Figure D)

Remove (4) screws from factory bracket from each side

DASH DISASSEMBLY

Toyota Echo 2000-2005

1. Remove the climate control knobs and (2) Phillips screws exposed.
2. Unclip and remove the climate control trim bezel.
3. Depress the side clips securing the climate control panel and move the panel to access (2) Phillips screws from the top of the factory radio brackets.
4. Remove the ashtray.
5. Unclip and remove the radio trim bezel.
6. Remove (2) Phillips screws from the bottom of the radio brackets and disconnect the wiring.

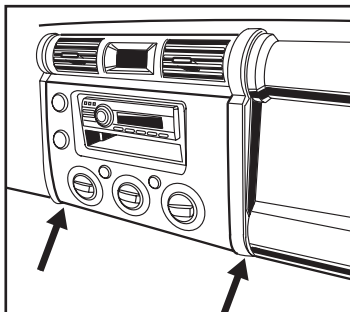


Continue to Kit Assembly

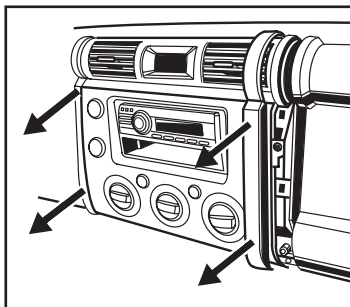
DASH DISASSEMBLY

Toyota FJ 2007-2014

1. Remove (2) Phillips screws from bottom part of side trim panels. (Figure A)
2. Using a panel removal tool, carefully remove the side trim panels. (Figure B)
3. Remove (2) Phillips screws from radio trim panel. (Figure C)



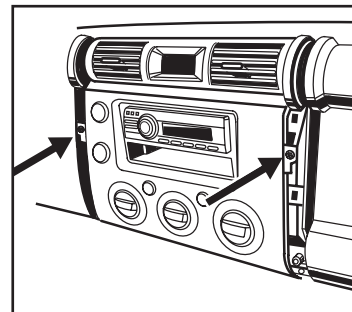
(Figure A)



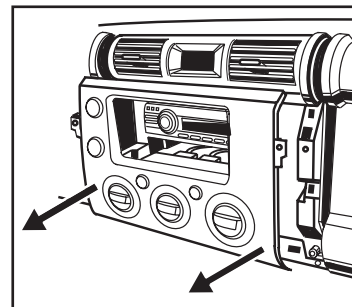
(Figure B)

4. Using panel removal tool, carefully remove radio trim panel. (Figure D)
5. Remove (4) 10mm bolts securing the radio.
6. Unplug and remove radio.

Continue to Kit Assembly



(Figure C)



(Figure D)

DASH DISASSEMBLY

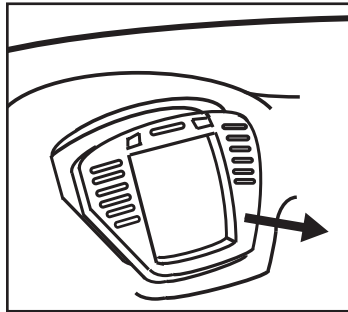
Toyota Highlander 2001-2007

1. Pull and remove dash panel from radio and climate controls.

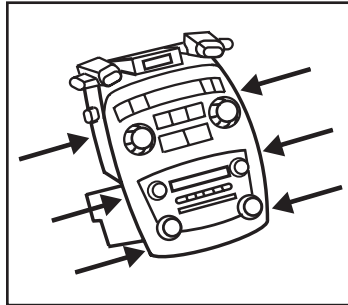
Tip: There are 8 clips. (Figure A)

2. Remove (6) 10mm bolts from radio and climate controls assembly. (Figure B)
3. Remove assembly and disconnect the wiring.
4. Remove (8) Phillips bolts and (4) Phillips screws to separate brackets from assembly. (Figure C)

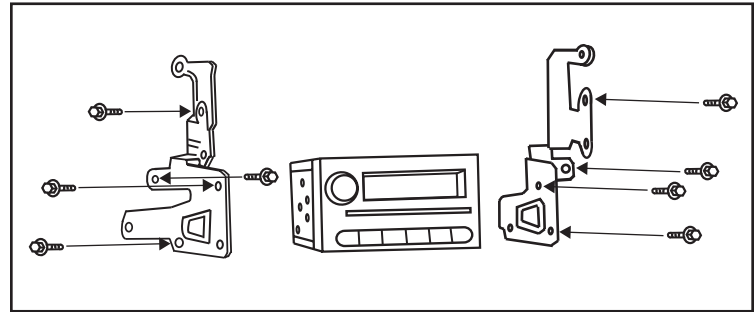
Continue to Kit Assembly



(Figure A)



(Figure B)

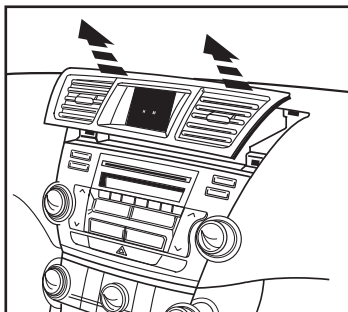


(Figure C)

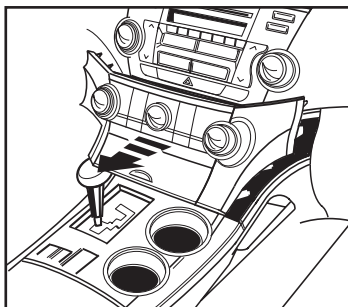
DASH DISASSEMBLY

Toyota Highlander 2013

1. Unclip and remove the A/C vent panel. (Figure A)
2. Unclip and remove the trim panel containing the A/C control and pocket. (Figure B)



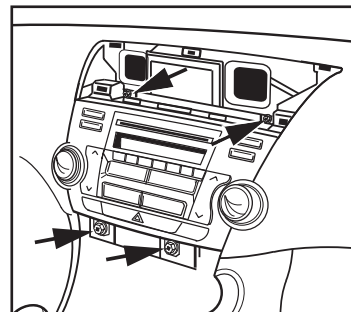
(Figure A)



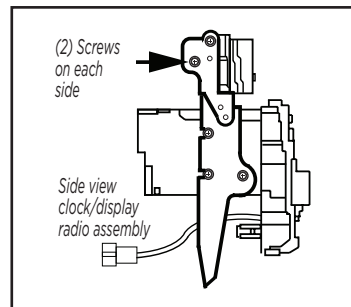
(Figure B)

3. Remove (4) 10mm bolts securing the radio assembly. (Figure C)
4. Remove the (4) Phillips screws securing the clock/display then remove the clock/display from the radio assembly. (Figure D)

Continue to Kit Assembly



(Figure C)



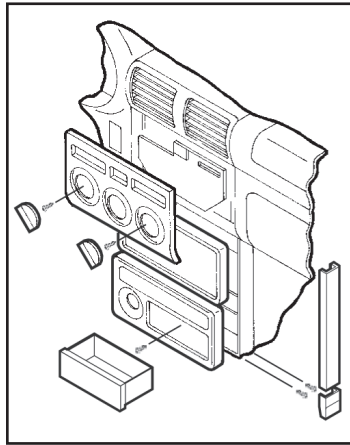
(Figure D)

DASH DISASSEMBLY

Toyota MR2 Spyder 2000-2005

1. Unsnap the lower trim piece from each side of the dash console and remove (2) Phillips screws exposed in each cavity.
2. Remove the upper trim piece from each side of the console.
3. Remove the climate control knobs and (2) Phillips screws exposed.
4. Remove the climate control trim bezel.
5. Remove the ashtray and (1) 10mm bolt exposed.
6. Unclip the ashtray trim bezel and remove.
7. Unclip the radio trim bezel, remove (4) Phillips screws securing the unit and disconnect the wiring.

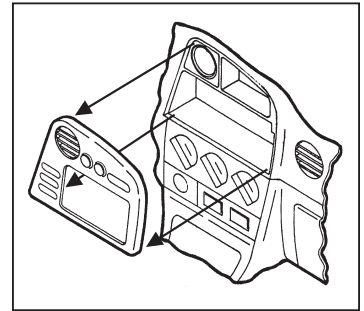
Continue to Kit Assembly



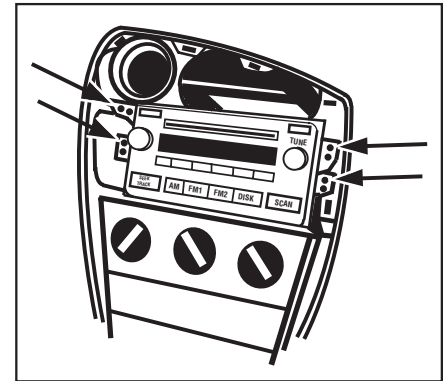
Toyota Matrix, Pontiac Vibe 2003-2008

1. Unclip the bottom edge of the radio trim panel then lift up and out to remove. (Figure A)
2. Remove (4) 10mm bolts securing the factory radio. (Figure B)

Continue to Kit Assembly



(Figure A)



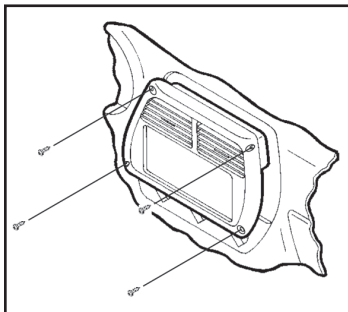
(Figure B)

DASH DISASSEMBLY

Toyota RAV 4 2001-2005

1. Remove (4) 3/16" Allen screws from the radio trim bezel and remove the bezel.
2. Remove (4) 10mm bolts securing the factory radio and disconnect the wiring.

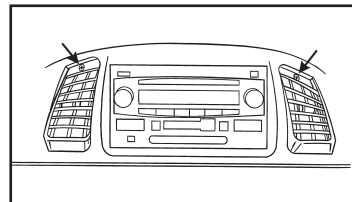
Continue to Kit Assembly



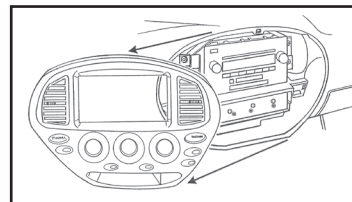
Toyota Sequoia 2001-2007

1. Position vents facing upward and remove (1) Phillips screw from each A/C vent. (Figure A)
2. Unclip and remove entire radio trim panel including climate controls. (Figure B)
3. Remove (4) 10mm bolts to remove radio. (Figure C)

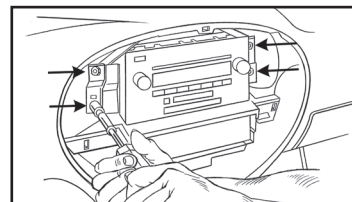
Continue to Kit Assembly



(Figure A)



(Figure B)



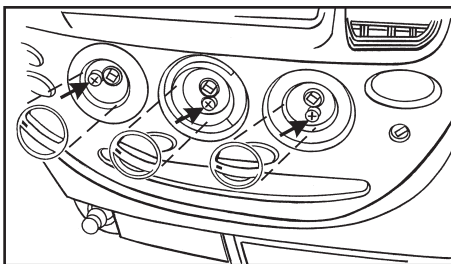
(Figure C)

DASH DISASSEMBLY

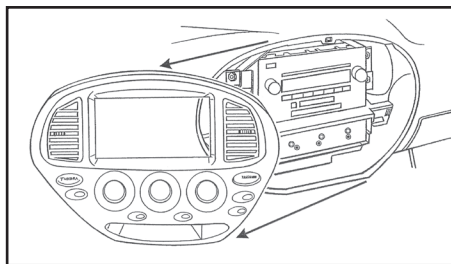
Toyota Tundra 2003-2006

1. Remove the (3) climate control knobs by pulling straight outward. (Figure A)
2. Remove (3) Phillips screws from behind knobs. (Figure A)
3. Position vents facing upward and remove (1) Phillips screw from each A/C vent. (Figure B)
4. Unclip and remove entire radio trim panel including climate controls. (Figure C)
5. Remove (4) 10mm bolts to remove radio. (Figure D)

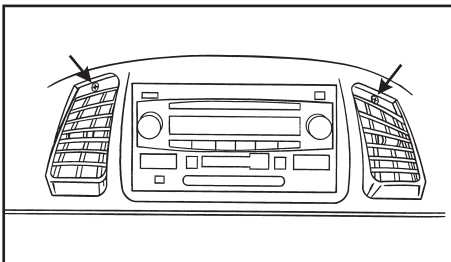
Continue to Kit Assembly



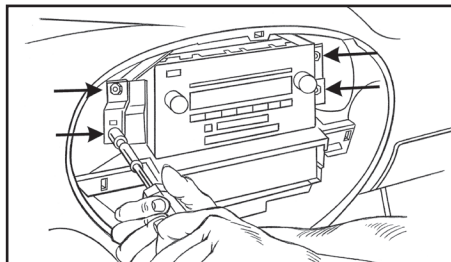
(Figure A)



(Figure C)



(Figure B)



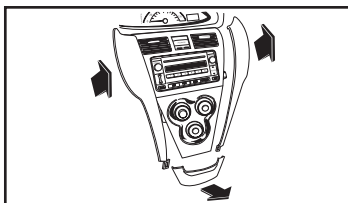
(Figure D)

DASH DISASSEMBLY

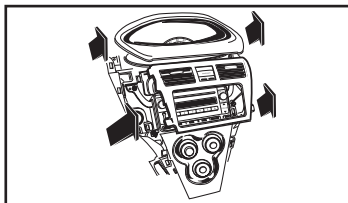
Toyota Yaris 2007-2010 (3-door and 4-door)

1. Unclip the bottom trim panel located underneath the A/C controls. (Figure A)
2. Unclip the two side trim panels that surround the A/C controls and radio. (Figure A)
3. Unclip the instrument trim panel surrounding the speedometer and gauges. (Figure B)
4. Unclip the radio/AC vents trim panel. (Figure B)
5. Remove (4) Phillips screws securing radio. (Figure C)
6. Unplug and remove radio.

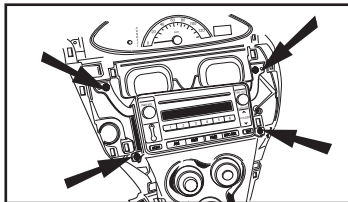
Continue to Kit Assembly



(Figure A)



(Figure B)

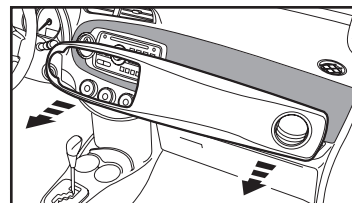


(Figure C)

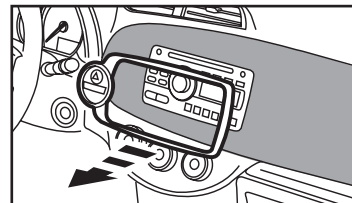
Toyota Yaris 2012-2017

1. Unclip and remove entire panel including a/c vent on passenger side of dash. (Figure A)
2. Unclip and remove the panel from around the radio. (Figure B)
3. Remove four 10mm bolts and remove factory radio. (Figure C)

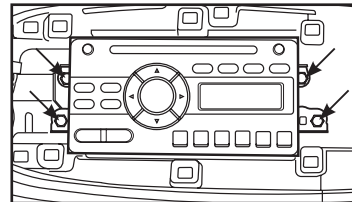
Continue to Kit Assembly



(Figure A)



(Figure B)

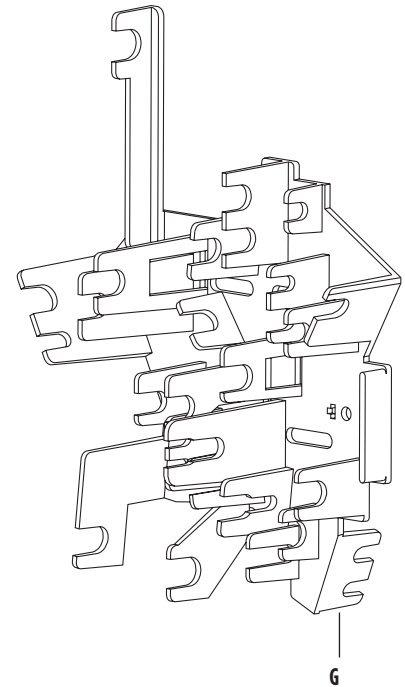
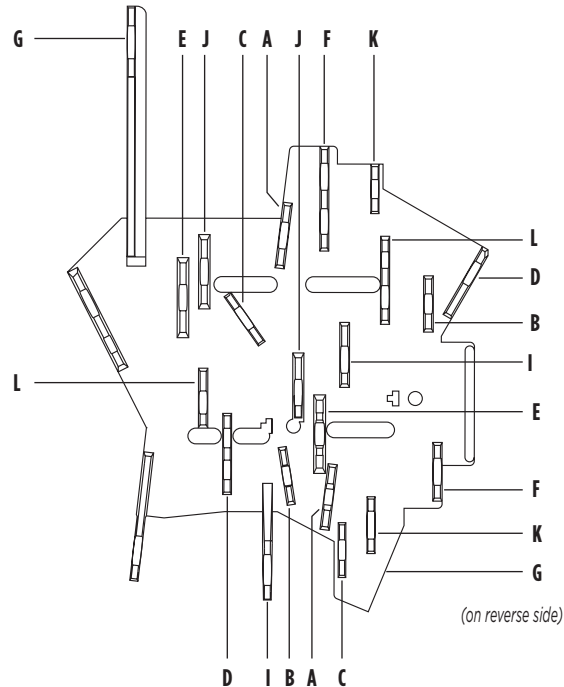


(Figure C)

BRACKET #1 TAB LAYOUT *(Drivers side shown)*

Bracket #	Tab	Vehicle
1	A	Scion xB 2008-2015
1	B	Scion FR-S 2013-2016 / Subaru BRZ 2013-2015
1	C	Scion xB 2004-2007
1	D	Scion xA 2004-2006
1	E	Toyota Yaris 2012-2017
1	F	Scion tC 2011-2016
1	G	Scion tC 2005-2010
1	I	Toyota FJ 2007-2014
1	J	Toyota Corolla (with NAV) 2009-2013
1	K	Toyota MR2 Spyder 2000-2005
1	L	Toyota RAV 4 2001-2005

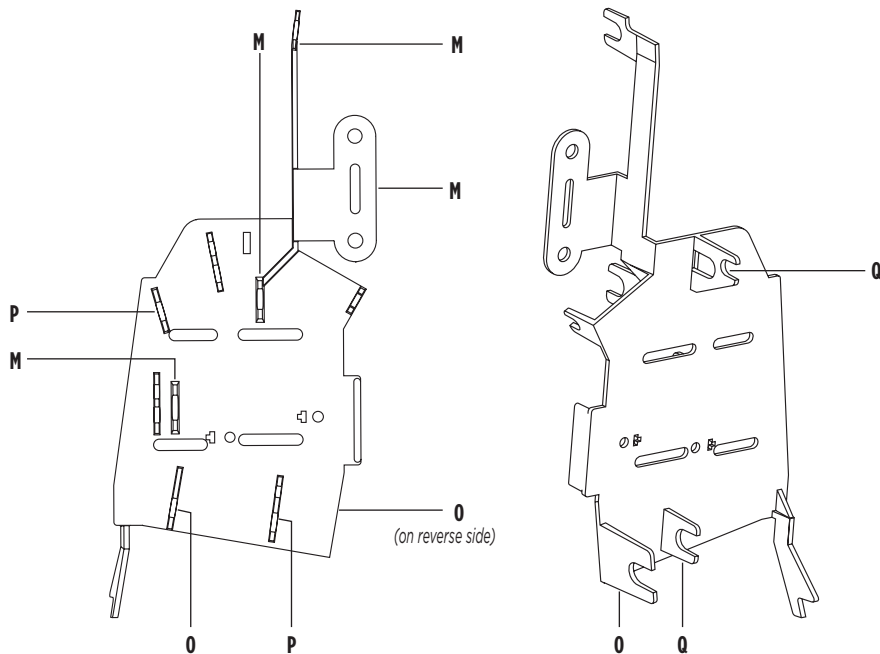
Note: It may be necessary to remove all unneeded tabs from the brackets for certain applications. Depending on the application it may also be necessary to trim the entire bracket as close as possible to the radio mounting locations on the brackets.



BRACKET #2 TAB LAYOUT

Bracket #	Tab	Vehicle	
2	M	Toyota Highlander	2001-2007
2	O	Toyota 4 Runner (excluding Limited)	2003-2009
2	P	Scion xD	2008-2014
2	Toyota Celica	2000-2005	

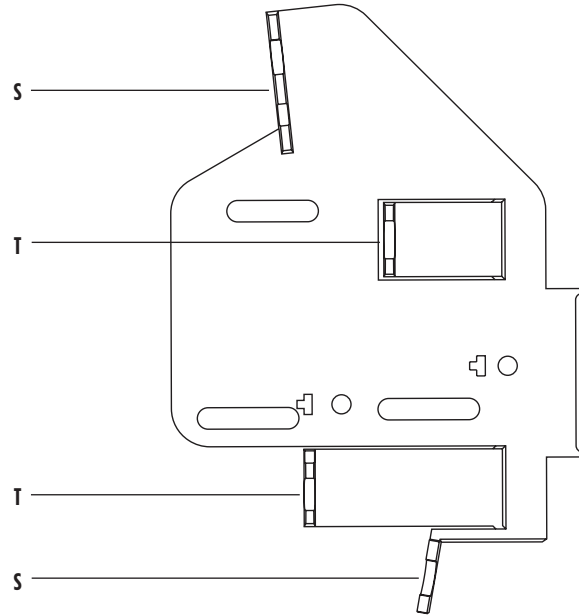
Note: It may be necessary to remove all unneeded tabs from the brackets for certain applications. Depending on the application it may also be necessary to trim the entire bracket as close as possible to the radio mounting locations on the brackets.



BRACKET #3 TAB LAYOUT

Bracket #	Tab	Vehicle	
3	S	Toyota Yaris (3-door)	2007-2010
3	T	Toyota Sequoia	2003-2007
3	T	Toyota Tundra	2003-2006

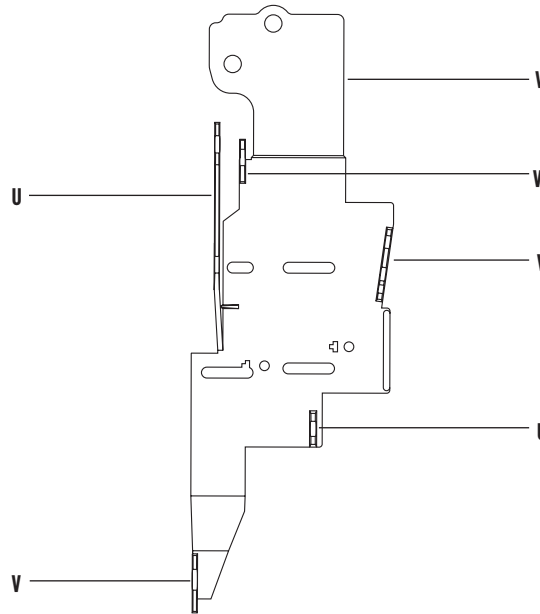
Note: It may be necessary to remove all unneeded tabs from the brackets for certain applications. Depending on the application it may also be necessary to trim the entire bracket as close as possible to the radio mounting locations on the brackets.



BRACKET #4 TAB LAYOUT

Bracket #	Tab	Vehicle
4	U	Toyota Yaris (4-door) 2007-2010
4	V	Toyota Highlander 2013

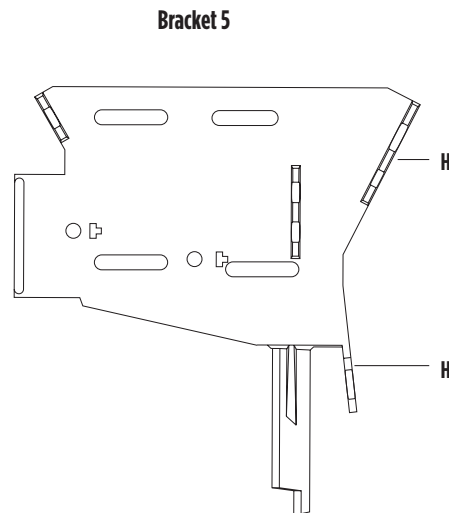
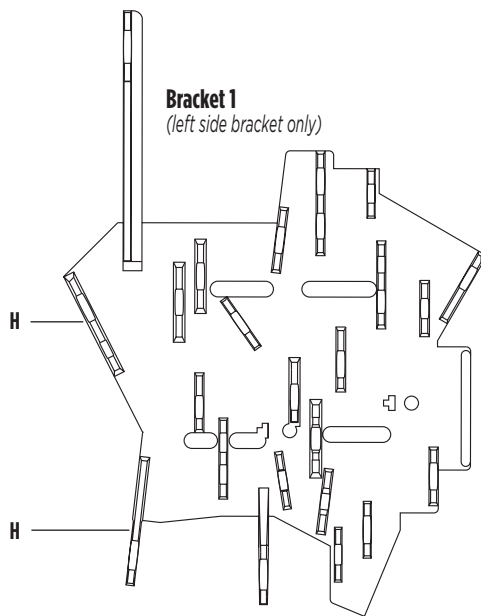
Note: It may be necessary to remove all unneeded tabs from the brackets for certain applications. Depending on the application it may also be necessary to trim the entire bracket as close as possible to the radio mounting locations on the brackets.



BRACKETS #1 AND #5 TAB LAYOUT *(Scion iQ, 2012-2015)*

Bracket #	Tab	Vehicle	
1 <i>(left side bracket only)</i>	H	Scion iQ	2012-2015
5	H		

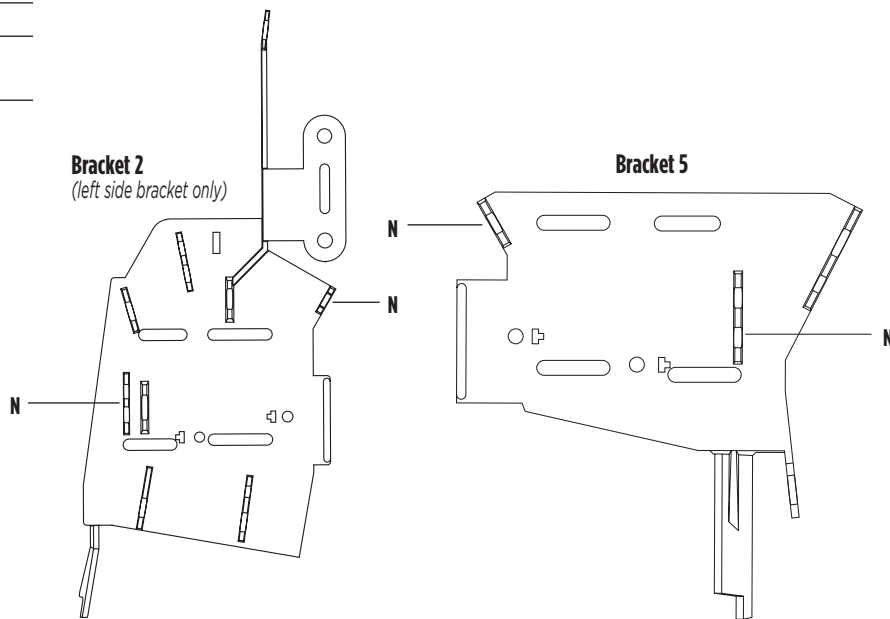
Note: It may be necessary to remove all unneeded tabs from the brackets for certain applications. Depending on the application it may also be necessary to trim the entire bracket as close as possible to the radio mounting locations on the brackets.



BRACKETS #2 AND #5 TAB LAYOUT *(Toyota Matrix, Pontiac Vibe, 2003-2008)*

Bracket #	Tab	Vehicle
2 (left side bracket only)	N	Toyota Matrix, Pontiac Vibe 2003-2008
5	N	

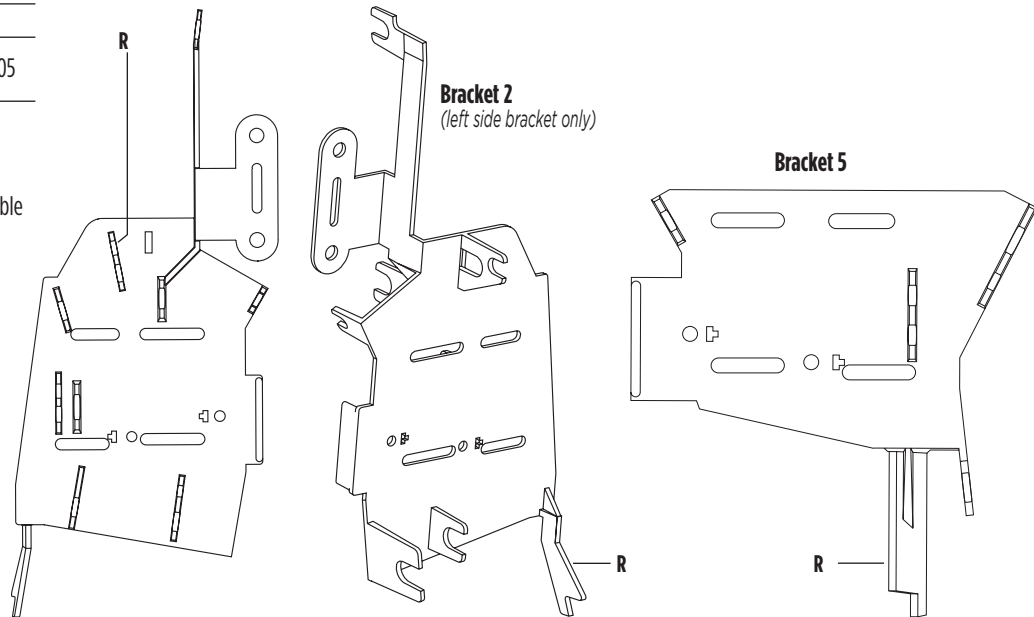
Note: It may be necessary to remove all unneeded tabs from the brackets for certain applications. Depending on the application it may also be necessary to trim the entire bracket as close as possible to the radio mounting locations on the brackets.



BRACKETS #2 AND #5 TAB LAYOUT *(Toyota Echo, 2000-2005)*

Bracket #	Tab	Vehicle
2 <i>(left side bracket only)</i>	R	Toyota Echo 2000-2005
5	R	

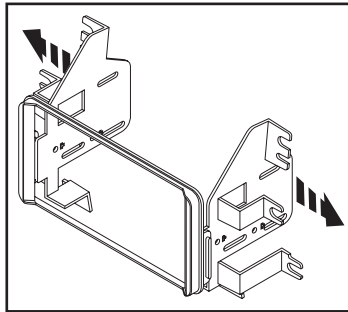
Note: It may be necessary to remove all unneeded tabs from the brackets for certain applications. Depending on the application it may also be necessary to trim the entire bracket as close as possible to the radio mounting locations on the brackets.



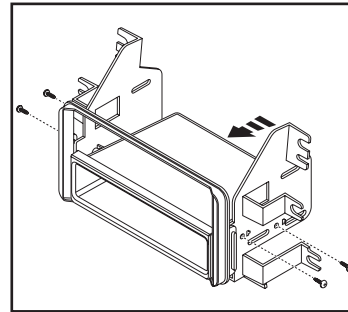
KIT ASSEMBLY

ISO DIN radio provision with pocket

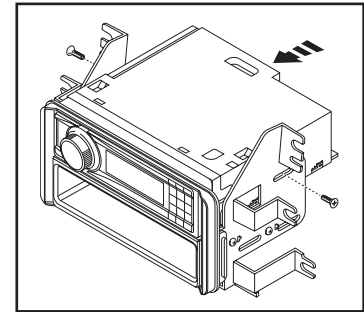
1. Attach the corresponding *bracket* to the *radio housing trim panel*. (*Bracket #3* shown) (Figure A)
2. Secure the *pocket* to the bracket/ panel assembly using the (4) #8 x 3/8" Phillips screws supplied. (Figure B)
3. Remove the metal DIN sleeve and trim ring from the aftermarket radio.
4. Slide the radio into the assembly and secure with the screws supplied with the radio. (Figure C)
5. Locate the factory wiring harness and antenna connector in the dash. Metra recommends using the proper mating adapter from Metra and/or AXCESS.
6. Secure the radio assembly into the dash using the factory screws, then reassemble the dash in reverse order of disassembly.



(Figure A)



(Figure B)

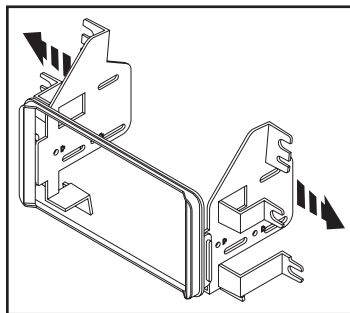


(Figure C)

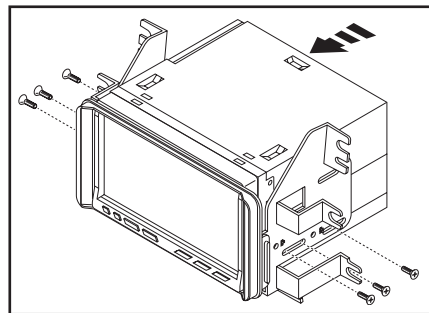
KIT ASSEMBLY

ISO DDIN radio provision

1. Attach the corresponding *bracket* to the *radio housing trim panel*. (*Bracket #3 shown*) (Figure A)
2. Slide the radio into the assembly and secure with the screws supplied with the radio. (Figure B)
3. Locate the factory wiring harness and antenna connector in the dash. Metra recommends using the proper mating adapter from Metra and/or AXXESS.
4. Secure the radio assembly into the dash using the factory screws, then reassemble the dash in reverse order of disassembly.



(Figure A)



(Figure B)



Lined writing area on the left side of the page, consisting of 15 horizontal lines.

Lined writing area on the right side of the page, consisting of 15 horizontal lines.



99-8300
INSTALLATION INSTRUCTIONS



IMPORTANT

If you are having difficulties with the installation of this product, please call our Tech Support line at 1-800-253-TECH. Before doing so, look over the instructions a second time, and make sure the installation was performed exactly as the instructions are stated. Please have the vehicle apart and ready to perform troubleshooting steps before calling.



KNOWLEDGE IS POWER

Enhance your installation and fabrication skills by enrolling in the most recognized and respected mobile electronics school in our industry. Log onto www.installerinstitute.com or call 800-354-6782 for more information and take steps toward a better tomorrow.



Metra recommends MECP certified technicians



Toyota kit múltiple 2000 y Mas

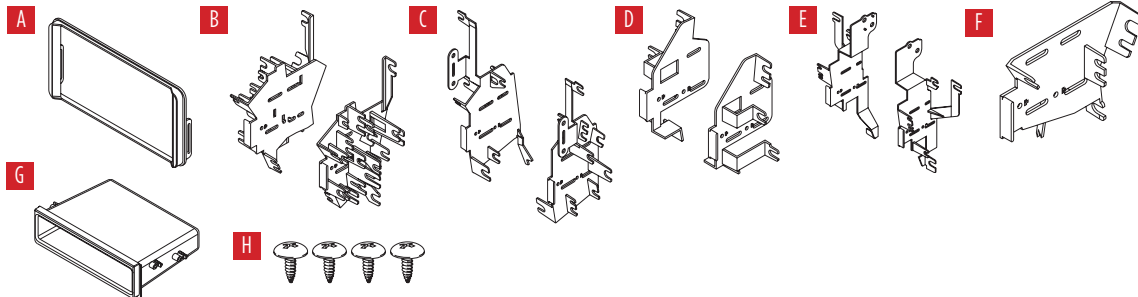
Visite MetraOnline.com para aplicaciones específicas de vehículos actualizadas.

CARACTERÍSTICAS DEL KIT

- Provisión de radio ISO DIN con cavidad
- Provisión de radio DDIN

COMPONENTES DEL KIT

- A) Panel de moldura para carcasa de radio • B) Soporte #1 • C) Soporte #2 • D) Soporte #3 • E) Soporte #4 • F) Soporte #5 • G) Cavidad
- H) (4) tornillos Phillips de cabeza segmentada #8 x 3/8"



INDICE

Ver interior de la portada

APLICACIONES

Ver interior de la portada

CABLEADO Y CONEXIONES DE ANTENA

(se venden por separado)

Arnés de cables: 70-1761 harness or TYTO-01 premium interface

Adaptador de antena: 40-LX11 (únicamente modelos selectos)

HERRAMIENTAS REQUERIDAS

- Herramienta para quitar paneles
- Destornillador Phillips • llave de tubo 10mm

¡PRECAUCIÓN! Todos los accesorios, interruptores, paneles de controles de clima y especialmente las luces del indicador de las bolsas de aire deben estar conectados antes ciclar la ignición. Además, no quite el radio de fábrica con la llave en la posición de encendido ni con el vehículo funcionando.

APLICACIONES

Pontiac		Toyota	
Vibe	2003-2008	4 Runner (excluyendo Limited)	2003-2009
		86	2017 y Mas
Scion		Celica	2000-2005
FR-S	2013-2016	Corolla (with NAV)	2009-2013
iQ	2012-2015	Echo	2000-2005
tC	2005-2016	FJ	2007-2014
xA	2004-2006	Highlander	2001-2007
xB	2004-2015	Highlander	2013
xD	2008-2014	Matrix	2003-2008
		MR2 Spyder	2000-2005
Subaru		RAV 4	2001-2005
BRZ	2013-2015	Sequoia	2003-2007
		Tundra	2003-2006
		Yaris	2012-2017
		Yaris (3 puertas)	2007-2010
		Yaris (4 puertas)	2007-2010

INDICE

Desmontaje del tablero

- Scion FR-S 2013-2016, Subaru BRZ 2013-2015, Toyota 86 2017 y Mas.....	3
- Scion iQ 2012-2015	3
- Scion tC 2005-2010	4
- Scion tC 2011-2016.....	4
- Scion xA 2004-2006.....	5
- Scion xB 2004-2007	6
- Scion xB 2008-2015	6
- Scion xD 2008-2014.....	7
- Toyota 4 Runner (excluyendo Limited) 2003-2009.....	7-8
- Toyota Celica 2000-2005	8
- Toyota Corolla (with NAV) 2009-2013.....	9
- Toyota Echo 2000-2005	10
- Toyota FJ 2007-2014.....	11
- Toyota Highlander 2001-2007	12
- Toyota Highlaander 2013	13
- Toyota MR2 Spyder 2000-2005.....	14
- Toyota Matrix, Pontiac Vibe 2003-2008.....	14
- Toyota RAV 4 2001-2005	15
- Toyota Sequoia 2003-2007	15
- Toyota Tundra 2003-2006.....	16
- Toyota Yaris (3 puertas y 4 puertas) 2007-2010.....	17
- Toyota Yaris 2012-2017.....	17

Ensamble del kit

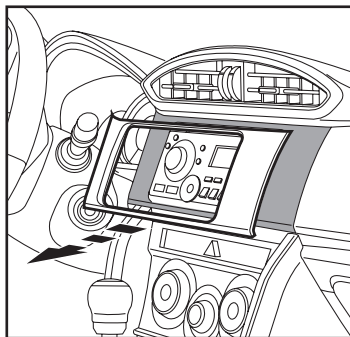
- Disposición de la pestaña de los soporte.....	18-24
- Provisión de radio ISO DIN con cavidad.....	25
- Provisión de radio ISO DDIN	26

DESMONTAJE DEL TABLERO

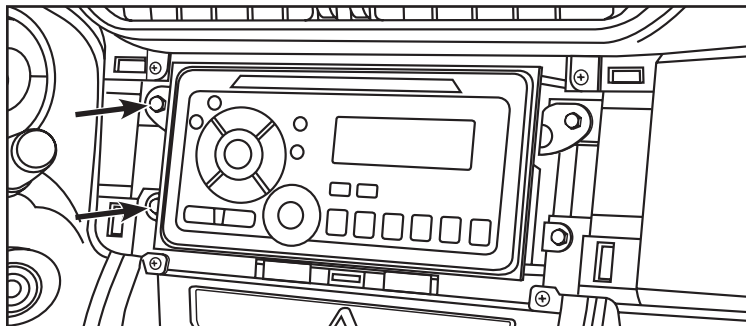
Scion FR-S 2013-2016,
Subaru BRZ 2013-2015,
Toyota 86 2017 y Mas

1. Desenganche y quite el panel de alrededor del radio. (Figura A)
2. Retire los (4) pernos de 10mm para quitar el radio de fábrica. (Figura B)

Continúe con el Ensamble del Kit



(Figura A)

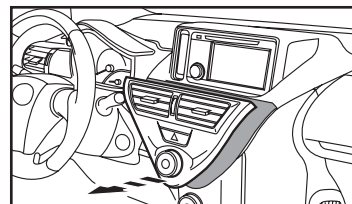


(Figura B)

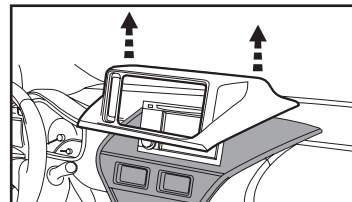
Scion iQ 2012-2015

1. Desenganche y quite el panel del control del clima. (Figura A)
2. Desenganche y quite el panel de alrededor del radio. (Figura B)
3. Quite los cuatro pernos de 10mm y quite el radio de fábrica. (Figura C)

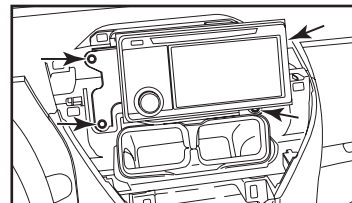
Continúe con el Ensamble del Kit



(Figura A)



(Figura B)



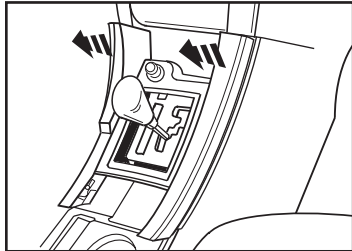
(Figura C)

DESMONTAJE DEL TABLERO

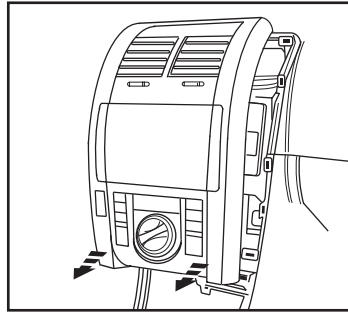
Scion tC 2005-2010

1. Suelte a presión la moldura que rodea la palanca de velocidades (no es necesario quitarla por completo). (Figura A)
2. Suelte a presión y quite el panel que rodea el radio, incluyendo los controles del clima y la puerta del radio. (Figura B)
3. Quite (2) tuercas de 10mm de las ubicaciones superiores de montaje y (2) tornillos Phillips de las ubicaciones inferiores de montaje y quite el radio. (Figura C)

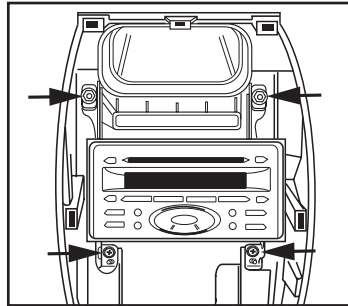
Continúe con el Ensamble del Kit



(Figura A)



(Figura B)

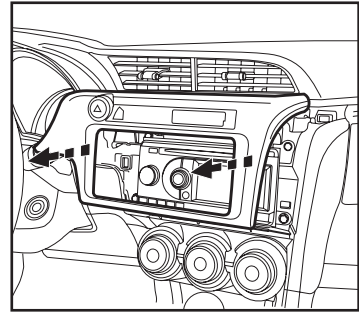


(Figura C)

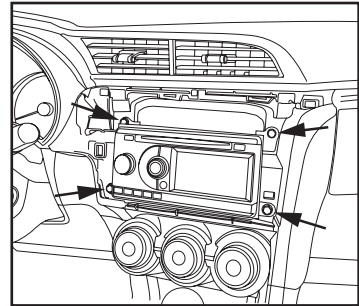
Scion tC 2011-2016

1. Desenganche y quite el panel de alrededor del radio. (Figura A)
2. Quite los (4) pernos de 10mm y quite el radio de fábrica. (Figura B)

Continúe con el Ensamble del Kit



(Figura A)

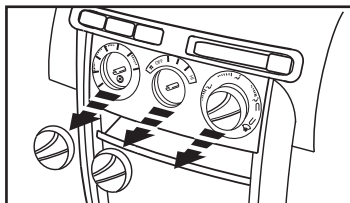


(Figura B)

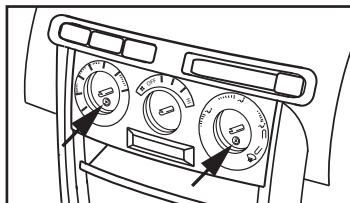
DESMONTAJE DEL TABLERO

Scion xA 2004-2006

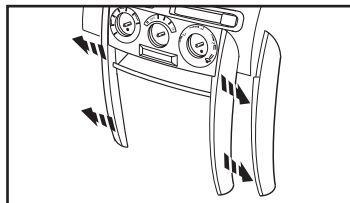
1. Jale hacia afuera las (3) perillas de control de clima y quitelas. (Figura A)
2. Quite los (2) tornillos Phillips de la parte de atrás de las dos perillas exteriores del clima. (Figura B)
3. Suelte a presión y quite las piezas de moldura de cada lado del ensamble del control de clima/cenicero/bolsillo. (Figura C)



(Figura A)



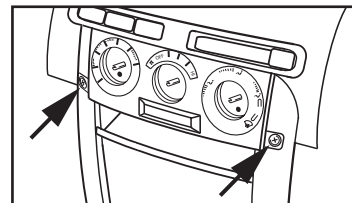
(Figura B)



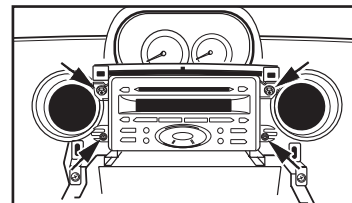
(Figura C)

4. Quite los (2) tornillos Phillips de la parte inferior del panel del control de clima/radio y luego suelte a presión y quite todo el panel. (Figura D)
5. Quite los (4) pernos de 10mm que sostienen el radio. Desconecte y quite el radio. (Figura E)

Continúe con el Ensamble del Kit



(Figura D)



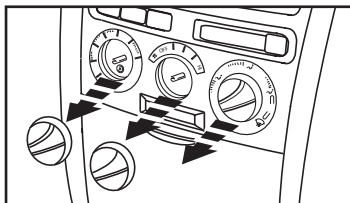
(Figura E)

DESMONTAJE DEL TABLERO

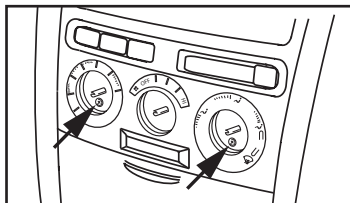
Scion xB 2004-2007

1. Jale hacia afuera las (3) perillas de control de clima y quitelas. (Figura A)
2. Quite los (2) tornillos Phillips de la parte de atrás de las perillas exteriores (2). (Figura B)
3. Suelte a presión y quite todo el panel que rodea el radio y los controles del clima y aire acondicionado. (Figura C)
4. Quite los (4) pernos de 10 mm que sostienen el radio. Desconecte y quite el radio.

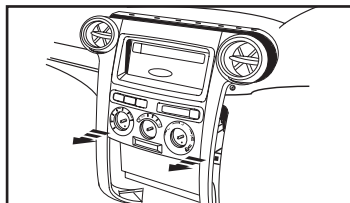
Continúe con el Ensamble del Kit



(Figura A)



(Figura B)

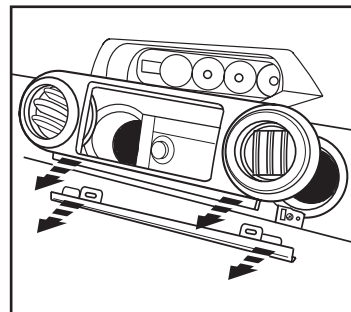


(Figura C)

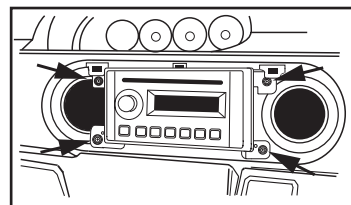
Scion xB 2008-2015

1. Desenganche y quite el panel de moldura que rodea el radio, incluyendo las rejillas del aire acondicionado. (Figura A)
2. Desenganche y quite el panel de moldura del borde inferior de la cavidad del tablero. (Figura A)
3. Quite los (4) pernos de 10 mm que sostienen el radio. Desconecte y quite el radio. (Figura B)

Continúe con el Ensamble del Kit



(Figura A)



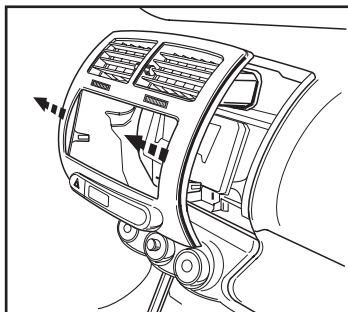
(Figura B)

DESMONTAJE DEL TABLERO

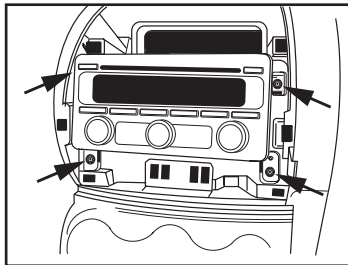
Scion xD 2008-2014

1. Desenganche el panel de moldura del radio. Desconecte y retire el panel. (Figura A)
2. Quite los (4) tornillos Phillips que sujetan el radio. Desconecte y quite el radio. (Figura B)

Continúe con el Ensamble del Kit



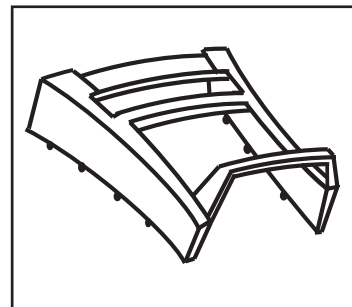
(Figura A)



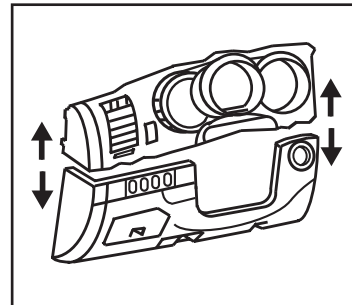
(Figura B)

Toyota 4 Runner 2003-2009 (excluyendo Limited)

1. Suelte a presión y retire la moldura de alrededor de la palanca de velocidades.
2. Suelte a presión y quite las tapas de la moldura de alrededor del borde de la cavidad de la consola central al frente y atrás de la consola.
3. Suelte a presión y quite la cubierta de la consola central. (Figura A)
4. Suelte a presión el anillo de moldura que rodea el cilindro de la llave de marcha.
5. Quite (1) perno de 10mm de la parte inferior derecha del panel debajo de la columna de dirección. Suelte a presión el panel y jale para obtener acceso atrás del panel. (Figura B)
6. Quite (1) perno de 10mm de la parte inferior izquierda detrás del panel debajo de la columna de dirección. (Figura B)



(Figura A)



(Figura B)

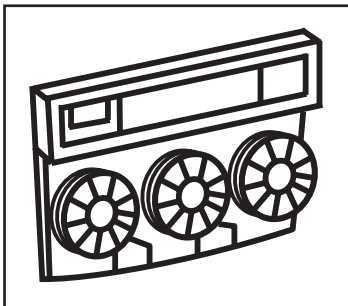
Continúa en la siguiente página

DESMONTAJE DEL TABLERO

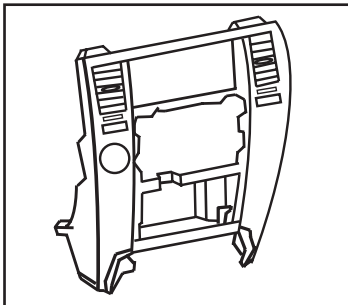
Toyota 4 Runner 2003-2009 (excluyendo Limited) (Cont)

7. Quite (1) perno de 10mm de abajo del control de clima, detrás de la puerta de la cavidad. Suelte a presión y quite el control del clima. (Figura C)
8. Quite los (2) pernos de 10mm de abajo del radio y detrás de los controles del clima.
9. Suelte a presión y quite todo el panel central que rodea el radio. (Figura D)
10. Quite los (2) pernos de 10mm que sostienen el radio para quitarlo.

Continúe con el Ensamble del Kit



(Figura C)

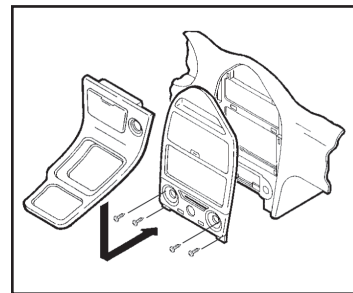


(Figura D)

Toyota Celica 2000-2005

1. Desenganche y quite el bisel de la moldura de la palanca de velocidades y quite los (2) tornillos Phillips expuestos debajo de los controles del clima.
2. Quite las perillas de control de clima y los (2) tornillos Phillips que quedan a la vista.
3. Desenganche el bisel del control de clima/moldura del radio de fábrica y quite. Quite los (4) tornillos de 10mm que sujetan el radio de fábrica y desconecte el cableado.

Continúe con el Ensamble del Kit



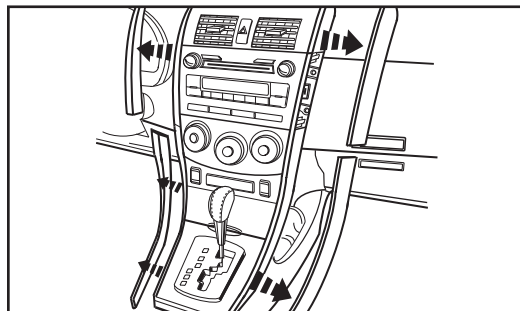
DESMONTAJE DEL TABLERO

Toyota Corolla (with NAV) 2009-2013

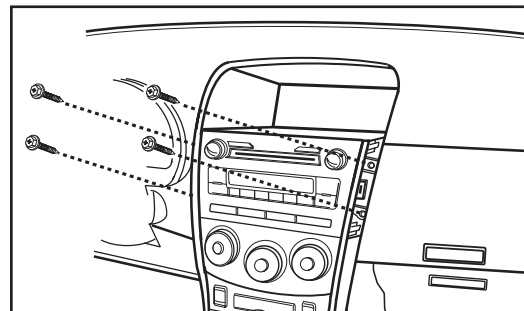
1. Desenganche y quite los (4) paneles de moldura lateral del lado izquierdo y derecho del radio y los controles del aire acondicionado. (Figura A)
2. Desenganche y quite el panel de las rejillas del aire acondicionado de arriba del radio de fábrica. (Figura B)
3. Quite los (4) pernos de 10mm que sostienen el radio. (Figura C)
4. Retire los (8) tornillos que sujetan los soportes al radio de fábrica y quite los soportes. (Figura D)
5. Quite los (4) ganchos plásticos de la parte de atrás del radio de fábrica.

Nota: Conserve los ganchos para volver a usarlos al ensamblar el kit.

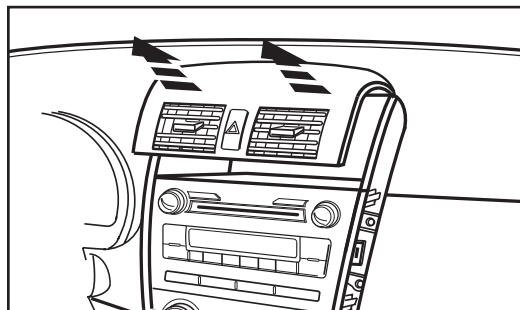
Continúe con el Ensamble del Kit



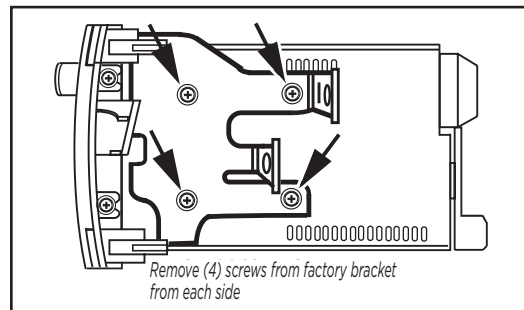
(Figura A)



(Figura C)



(Figura B)

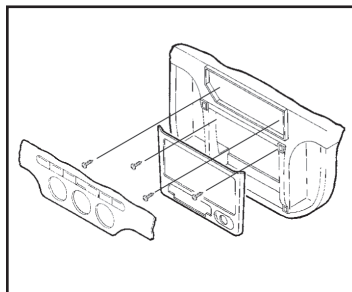


(Figura D)

DESMONTAJE DEL TABLERO

Toyota Echo 2000-2005

1. Quite las perillas de control de clima y los (2) tornillos Phillips que quedan a la vista.
2. Desenganche y quite el bisel de la moldura del control de clima.
3. Presione los ganchos laterales que sujetan el panel del control de clima y mueva el panel para acceder los (2) tornillos Phillips desde la parte superior de los soportes del radio de fábrica.
4. Quite el cenicero.
5. Desenganche y quite el bisel de la moldura.
6. Quite los (2) tornillos Phillips de la parte inferior de los soportes del radio y desconecte el cableado.

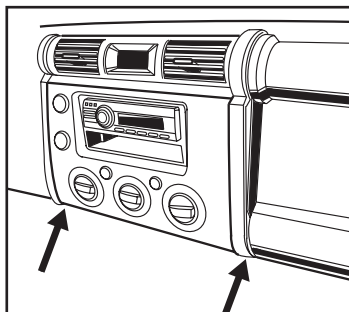


Continúe con el Ensamble del Kit

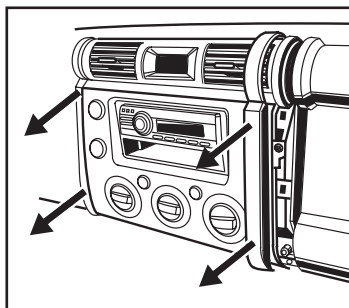
DESMONTAJE DEL TABLERO

Toyota FJ 2007-2014

1. Quite (2) tornillos Phillips de la parte de abajo de los paneles de la moldura lateral. (Figura A)
2. Con una herramienta de remoción de panel, quite con cuidado los paneles de la moldura lateral. (Figura B)
3. Quite los (2) tornillos Phillips del panel de la moldura del radio. (Figura C)



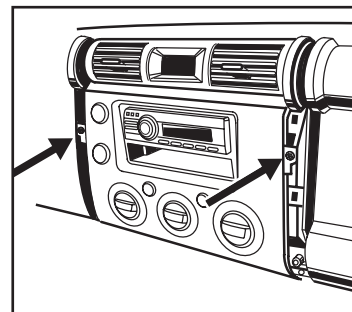
(Figura A)



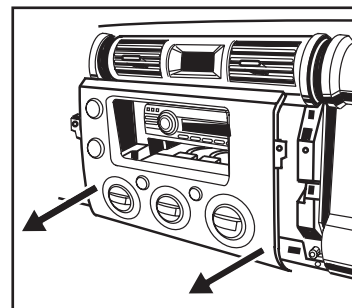
(Figura B)

4. Con la herramienta de remoción de panel, quite con cuidado el panel de la moldura del radio. (Figura D)
5. Quite los (4) pernos de 10mm que sostienen el radio.
6. Desconecte y retire el radio.

Continúe con el Ensamble del Kit



(Figura C)



(Figura D)

DESMONTAJE DEL TABLERO

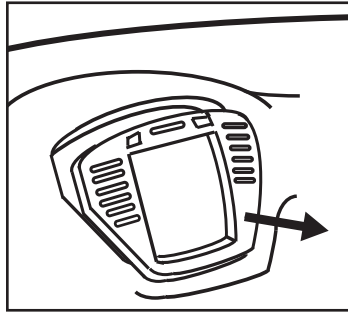
Toyota Highlander 2001-2007

1. Jale y quite el panel del tablero del radio y los controles del clima.

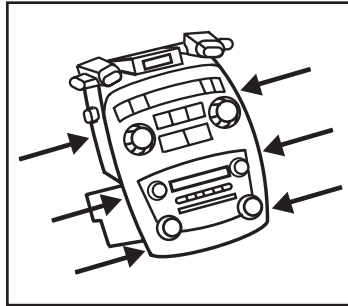
Sugerencia: Hay 8 ganchos. (Figura A)

2. Quite los (6) pernos de 10mm de los controles del radio y clima. (Figura B)
3. Quite el ensamble y desconecte el cableado.
4. Quite los (8) pernos Phillips y los (4) tornillos Phillips para separar los soportes del ensamble. (Figura C)

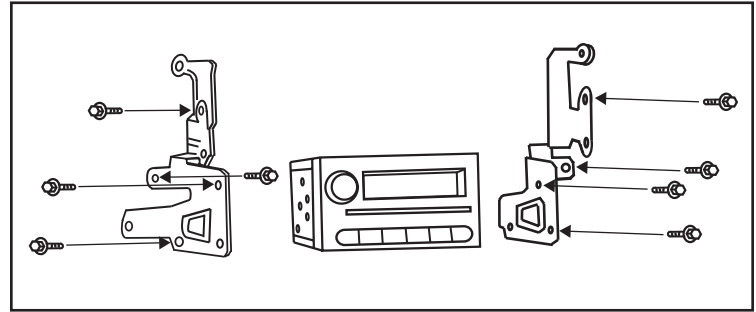
Continúe con el Ensamble del Kit



(Figura A)



(Figura B)

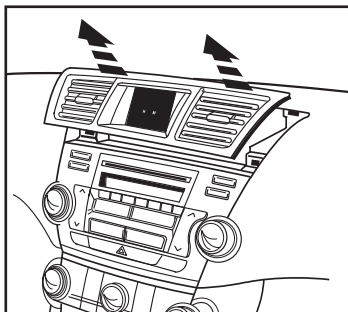


(Figura C)

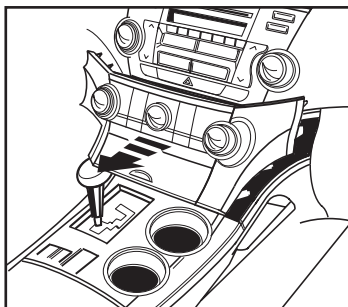
DESMONTAJE DEL TABLERO

Toyota Highlander 2013

1. Desenganche y quite el panel de la rejilla del aire acondicionado. (Figura A)
2. Desenganche y quite el panel de la moldura que contiene el control del aire acondicionado y la cavidad. (Figura B)



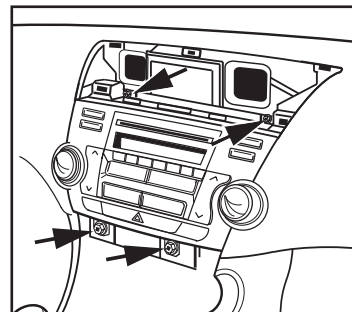
(Figura A)



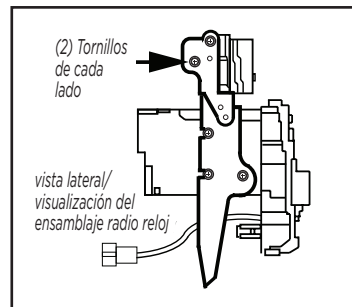
(Figura B)

3. Quite los (4) pernos de 10 mm que sostienen el ensamble del radio. (Figura C)
4. Quite los (4) tornillos Phillips que sujetan el reloj/la pantalla y luego quite el reloj/la pantalla del ensamble del radio. (Figura D)

Continúe con el *Ensamble del Kit*



(Figura C)



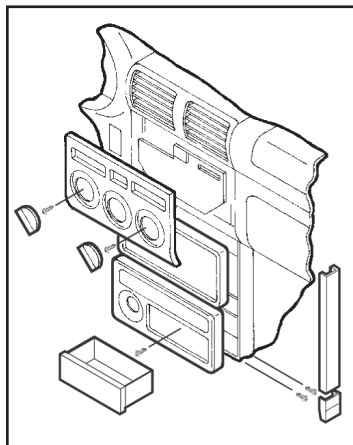
(Figura D)

DESMONTAJE DEL TABLERO

Toyota MR2 Spyder 2000-2005

1. Desenganche la pieza de moldura inferior de cada lado de la consola del tablero y quite los (2) tornillos Phillips que quedan a la vista en cada cavidad.
2. Quite las perillas de control de clima y los (2) tornillos Phillips que quedan a la vista.
3. Remove the climate control knobs and (2) Phillips screws exposed.
4. Quite el bisel de la moldura del control de clima.
5. Quite el cenicero y (1) perno expuesto.
6. Desenganche el bisel de la moldura del cenicero y quítelo.
7. Desenganche el bisel de la moldura del radio, quite los (4) tornillos Phillips que sujetan la unidad y desconecte el cableado.

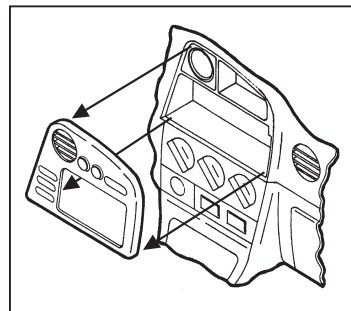
Continúe con el Ensamble del Kit



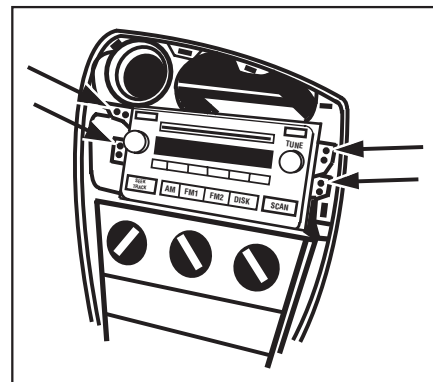
Toyota Matrix, Pontiac Vibe 2003-2008

1. Desenganche el borde inferior del panel de la moldura del radio y luego levante y retire. (Figura A)
2. Retire los (4) pernos de 10 mm que sujetan el radio de fábrica. (Figura B)

Continúe con el Ensamble del Kit



(Figura A)



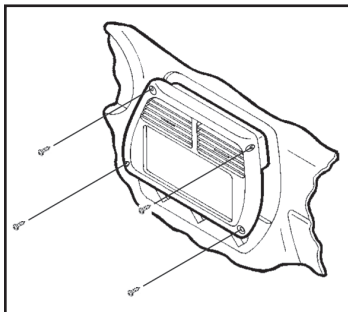
(Figura B)

DESMONTAJE DEL TABLERO

Toyota RAV 4 2001-2005

1. Quite los (4) tornillos Allen de 3/16" del bisel de la moldura del radio y quite el bisel.
2. Quite los (4) tornillos de 10 mm que sujetan el radio de fábrica y desconecte el cableado.

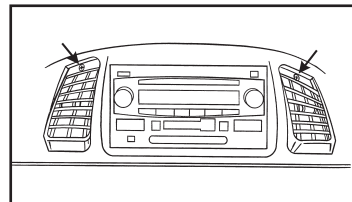
Continúe con el Ensamble del Kit



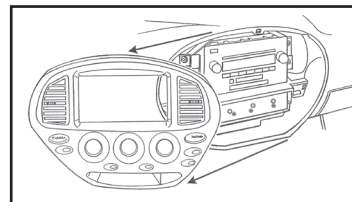
Toyota Sequoia 2001-2007

1. Posicione las rejillas orientadas hacia arriba y quite (1) tornillo Phillips de cada rejilla de aire acondicionado. (Figura A)
2. Desenganche y quite todo el panel de la moldura del radio, incluyendo los controles del clima. (Figura B)
3. Quite los (4) pernos de 10 mm para quitar el radio. (Figura C)

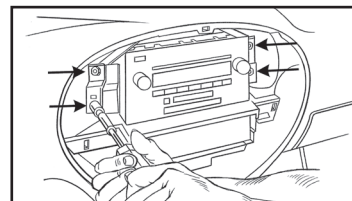
Continúe con el Ensamble del Kit



(Figura A)



(Figura B)



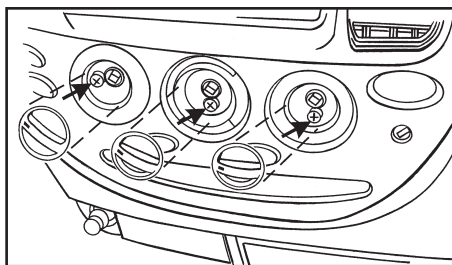
(Figura C)

DESMONTAJE DEL TABLERO

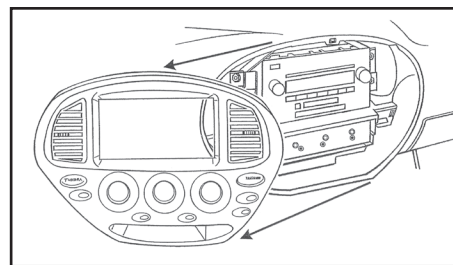
Toyota Tundra 2003-2006

1. Quite las (3) perillas de control de clima jalando directamente hacia el frente. (Figura A)
2. Quite los (3) tornillos Phillips de atrás de las perillas. (Figura A)
3. Posicione las rejillas orientadas hacia arriba y quite (1) tornillo Phillips de cada rejilla de aire acondicionado. (Figura B)
4. Desenganche y quite todo el panel de la moldura del radio, incluyendo los controles del clima. (Figura C)
5. Quite los (4) pernos de 10 mm para quitar el radio. (Figura D)

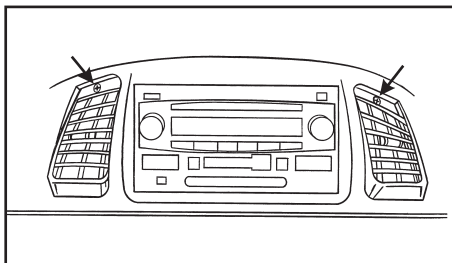
Continúe con el Ensamble del Kit



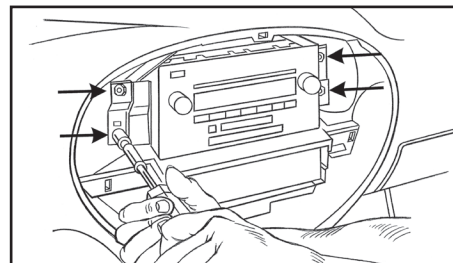
(Figura A)



(Figura C)



(Figura B)



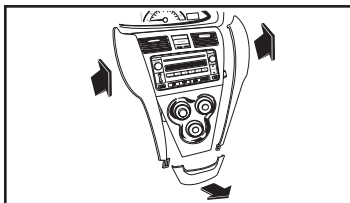
(Figura D)

DESMONTAJE DEL TABLERO

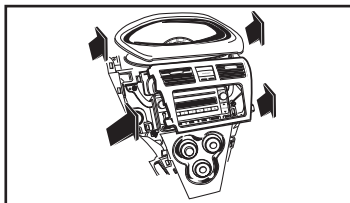
Toyota Yaris 2007-2010 (3-door and 4-door)

1. Desenganche el panel de la moldura inferior localizado abajo de los controles de aire acondicionado. (Figura A)
2. Desenganche los dos paneles de la moldura lateral que rodean los controles de aire acondicionado y el radio. (Figura A)
3. Desenganche el panel de la moldura de instrumentos que rodea el velocímetro y los indicadores. (Figura B)
4. Desenganche el panel de la moldura del radio/las rejillas de aire acondicionado. (Figura B)
5. Quite los (4) tornillos Phillips que sostienen el radio. (Figura C)
6. Desconecte y retire el radio.

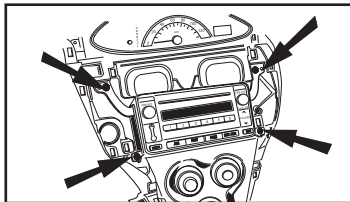
Continúe con el Ensamble del Kit



(Figura A)



(Figura B)

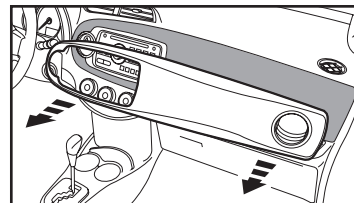


(Figura C)

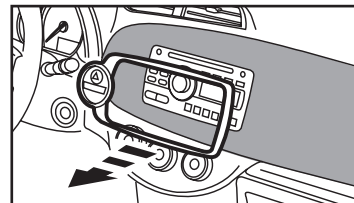
Toyota Yaris 2012-2017

1. Desenganche y quite todo el panel, incluyendo la rejilla de aire acondicionado en el tablero del lado del pasajero. (Figura A)
2. Desenganche y quite el panel de alrededor del radio. (Figura B)
3. Quite los cuatro pernos de 10 mm y quite el radio de fábrica. (Figura C)

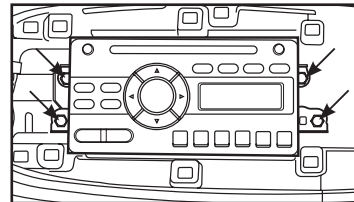
Continúe con el Ensamble del Kit



(Figura A)



(Figura B)

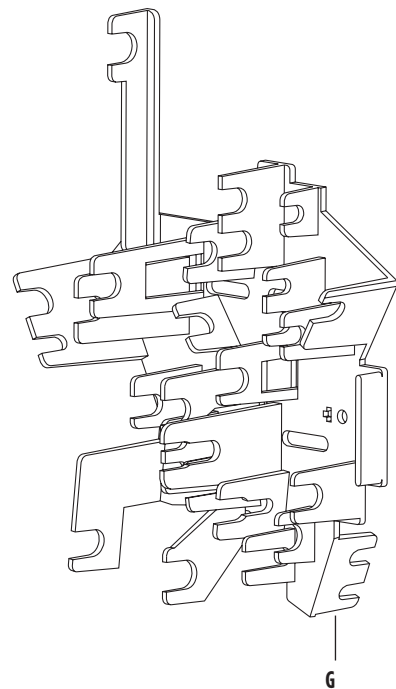
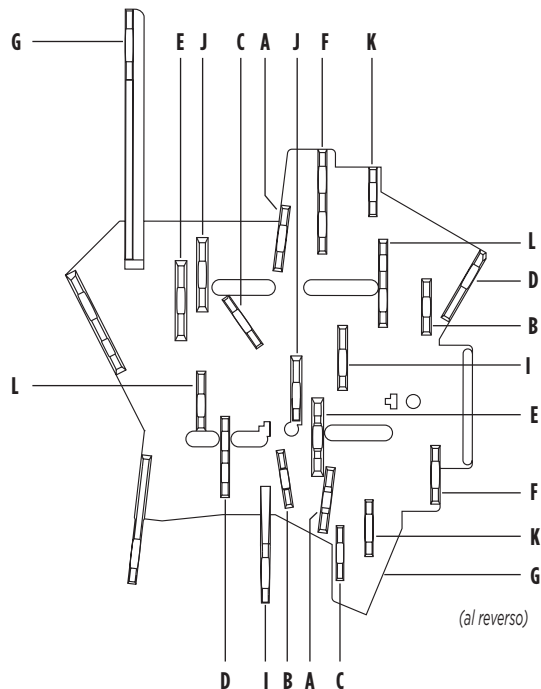


(Figura C)

DISTRIBUCIÓN DE LA PESTAÑA #1 DEL SOPORTE *(se muestra el lado del conductor)*

Soporte #	Pestaña	Vehículo
1	A	Scion xB 2008-2015
1	B	Scion FR-S 2013-2016 / Subaru BRZ 2013-2015
1	C	Scion xB 2004-2007
1	D	Scion xA 2004-2006
1	E	Toyota Yaris 2012-2017
1	F	Scion tC 2011-2016
1	G	Scion tC 2005-2010
1	I	Toyota FJ 2007-2014
1	J	Toyota Corolla (with NAV) 2009-2013
1	K	Toyota MR2 Spyder 2000-2005
1	L	Toyota RAV 4 2001-2005

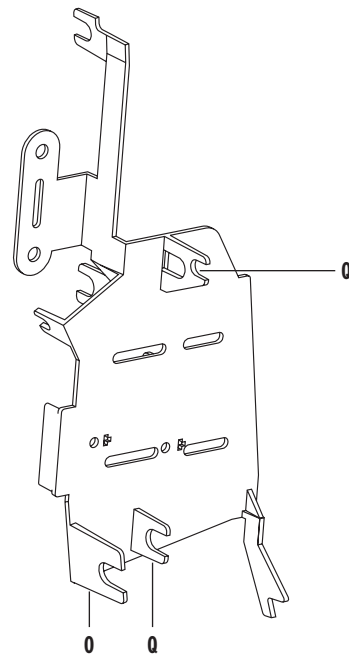
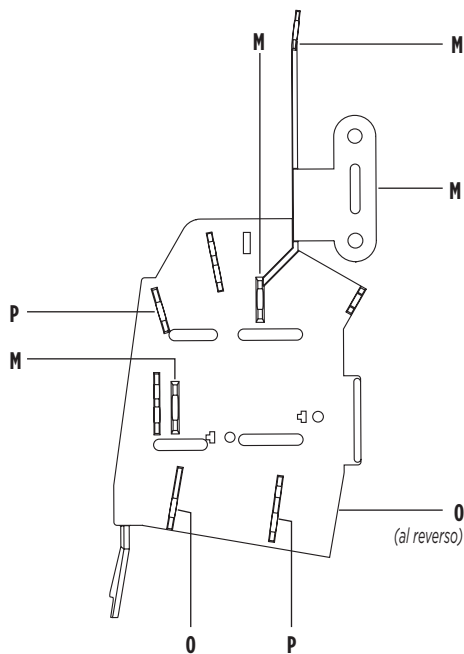
Nota: Puede ser necesario retirar todas las pestañas no necesarias de los soportes para ciertas aplicaciones. Dependiendo de la aplicación, también puede ser necesario cortar todo el soporte tan cerca como sea posible a los sitios de montaje del radio en los soportes..



DISTRIBUCIÓN DE LA PESTAÑA #2 DEL SOPORTE

Soporte #	Pestaña	Vehículo	
2	M	Toyota Highlander	2001-2007
2	O	Toyota 4 Runner (excluyendo Limited)	2003-2009
2	P	Scion xD	2008-2014
2	Q	Toyota Celica	2000-2005

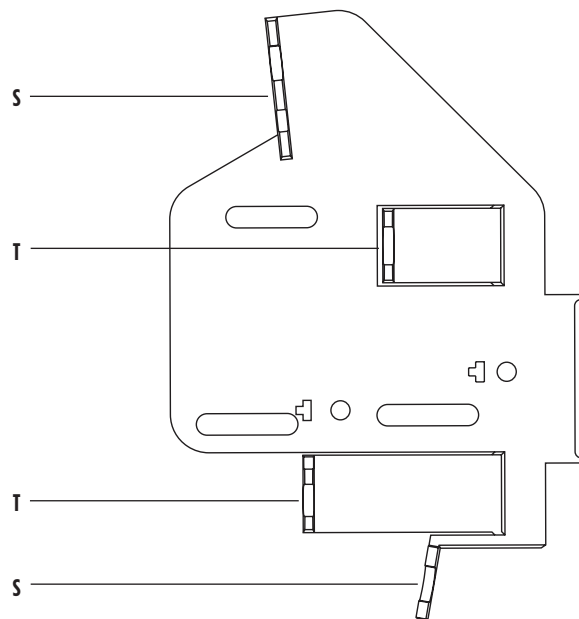
Nota: Puede ser necesario retirar todas las pestañas no necesarias de los soportes para ciertas aplicaciones. Dependiendo de la aplicación, también puede ser necesario cortar todo el soporte tan cerca como sea posible a los sitios de montaje del radio en los soportes.



DISTRIBUCIÓN DE LA PESTAÑA #3 DEL SOPORTE

Soporte #	Pestaña	Vehículo	
3	S	Toyota Yaris (3 puertas)	2007-2010
3	T	Toyota Sequoia	2003-2007
3	T	Toyota Tundra	2003-2006

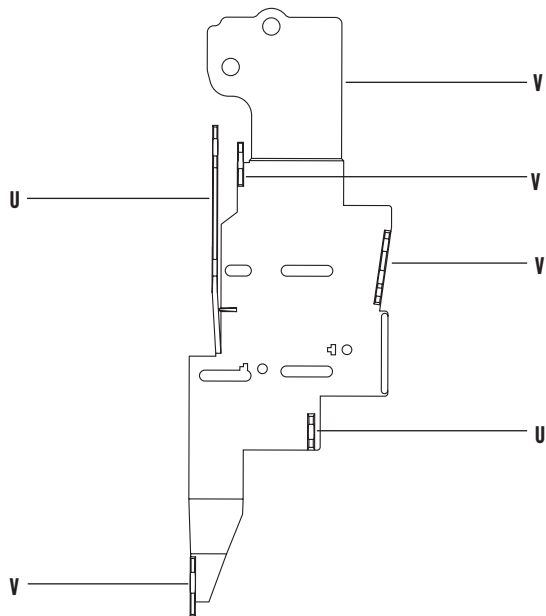
Nota: Puede ser necesario retirar todas las pestañas no necesarias de los soportes para ciertas aplicaciones. Dependiendo de la aplicación, también puede ser necesario cortar todo el soporte tan cerca como sea posible a los sitios de montaje del radio en los soportes.



DISTRIBUCIÓN DE LA PESTAÑA #4 DEL SOPORTE

Soporte #	Pestaña	Vehículo	
4	U	Toyota Yaris (4 puertas)	2007-2010
4	V	Toyota Highlander	2013

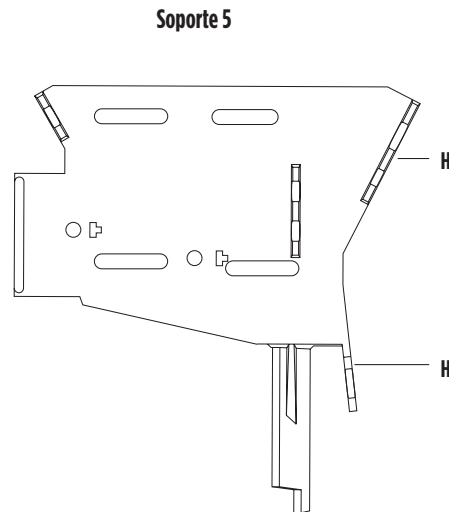
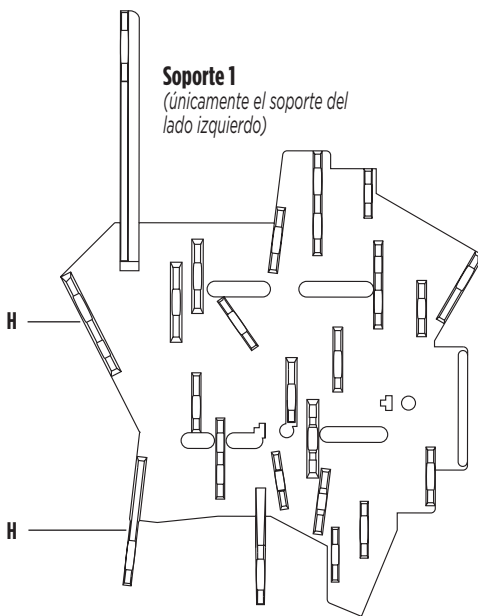
Nota: Puede ser necesario retirar todas las pestañas no necesarias de los soportes para ciertas aplicaciones. Dependiendo de la aplicación, también puede ser necesario cortar todo el soporte tan cerca como sea posible a los sitios de montaje del radio en los soportes.



DISTRIBUCIÓN DE LA PESTAÑA #4 Y #5 DEL SOPORTES *(Scion iQ, 2012-2015)*

Soporte #	Pestaña	Vehículo
1 <i>(únicamente el soporte del lado izquierdo)</i>	H	Scion iQ 2012-2015
5	H	

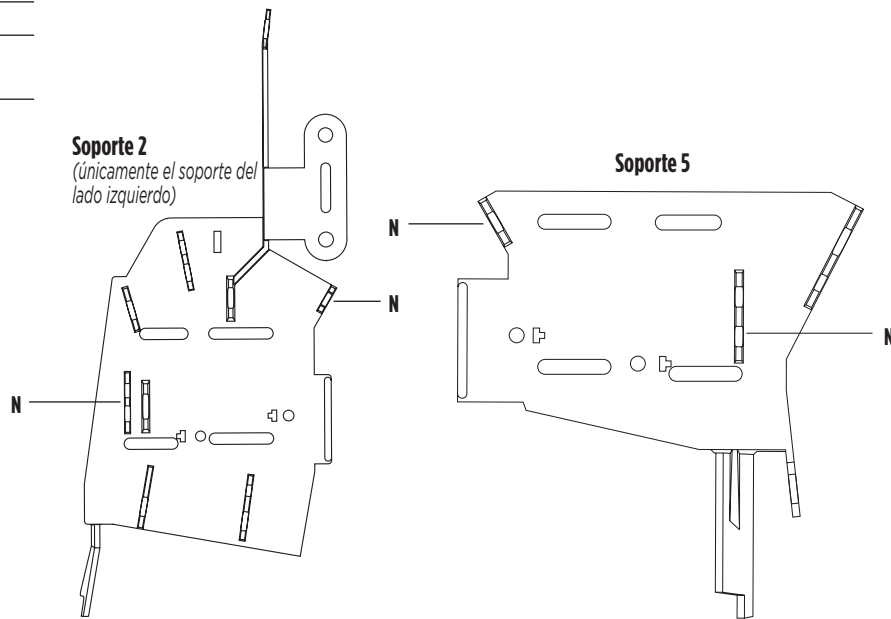
Nota: Puede ser necesario retirar todas las pestañas no necesarias de los soportes para ciertas aplicaciones. Dependiendo de la aplicación, también puede ser necesario cortar todo el soporte tan cerca como sea posible a los sitios de montaje del radio en los soportes.



DISTRIBUCIÓN DE LA PESTAÑA #2 Y #5 DEL SOPORTES *(Toyota Matrix, Pontiac Vibe, 2003-2008)*

Soporte #	Pestaña	Vehículo
2 (left side bracket only)	N	Toyota Matrix, Pontiac Vibe 2003-2008
5	N	

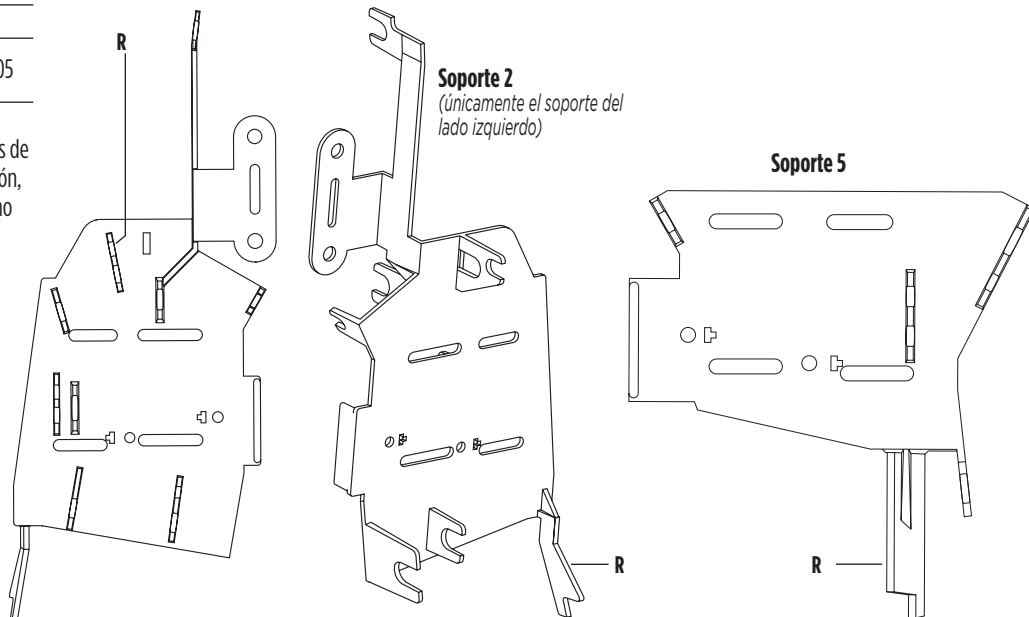
Nota: Puede ser necesario retirar todas las pestañas no necesarias de los soportes para ciertas aplicaciones. Dependiendo de la aplicación, también puede ser necesario cortar todo el soporte tan cerca como sea posible a los sitios de montaje del radio en los soportes.



DISTRIBUCIÓN DE LA PESTAÑA #2 Y #5 DEL SOPORTES *(Toyota Echo, 2000-2005)*

Soporte #	Pestaña	Vehículo
2 <i>(left side bracket only)</i>	R	Toyota Echo 2000-2005
5	R	

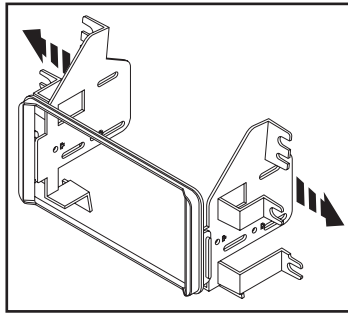
Nota: Puede ser necesario retirar todas las pestañas no necesarias de los soportes para ciertas aplicaciones. Dependiendo de la aplicación, también puede ser necesario cortar todo el soporte tan cerca como sea posible a los sitios de montaje del radio en los soportes.



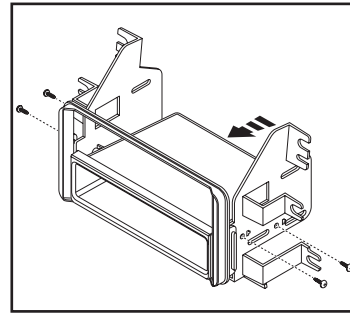
ENSAMBLE DEL KIT

Provisión de radio ISO DIN con cavidad

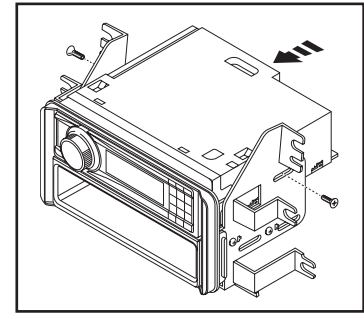
1. Una el soporte correspondiente al *panel de la moldura de la carcasa del radio*. (Se muestra el soporte #3) (Figura A)
2. Asegure la *cavidad* en el ensamblaje soporte/panel con los (4) tornillos Phillips #8 x 3/8" suministrados. (Figura B)
3. Quite la manga de metal DIN y el anillo de moldura del radio de mercado secundario.
4. Deslice el radio en el conjunto del soporte y sujételo con los tornillos suministrados con el radio. (Figura C)
5. Ubique el arnés de cableado de fábrica y el conector de la antena en el tablero. Metra recomienda que use adaptadores adecuados de acoplamiento de Metra y/o de AXXESS.
6. Asegure el conjunto del radio en el tablero y vuelva a armar el tablero al revés de como lo desarmó.



(Figura A)



(Figura B)

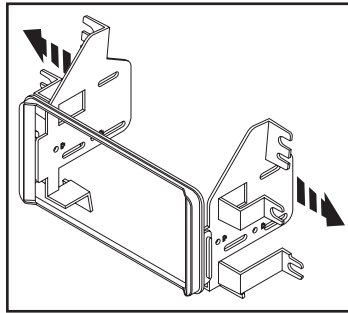


(Figura C)

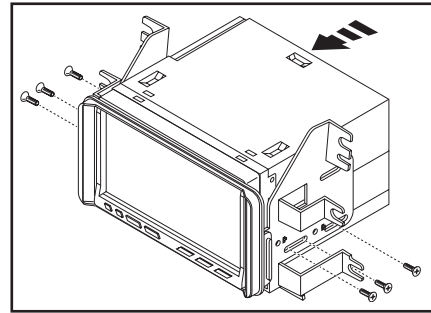
ENSAMBLE DEL KIT

Provisión de radio ISO DDIN

1. Una el soporte correspondiente al *panel de la moldura de la carcasa del radio*. (Se muestra el soporte #3) (Figura A)
2. Deslice el radio en el conjunto del soporte y sujételo con los tornillos suministrados con el radio. (Figura B)
3. Ubique el arnés de cableado de fábrica y el conector de la antena en el tablero. Metra recomienda que use adaptadores adecuados de acoplamiento de Metra y/o de AXXESS.
4. Asegure el conjunto del radio en el tablero y vuelva a armar el tablero al revés de como lo desarmó.



(Figura A)



(Figura B)



99-8300

INSTRUCCIONES DE INSTALACIÓN



IMPORTANTE

Si tiene dificultades con la instalación de este producto, llame a nuestra línea de soporte técnico al 1-800-253-TECH. Antes de hacerlo, revise las instrucciones por segunda vez y asegúrese de que la instalación se haya realizado exactamente como se indica en las instrucciones. Por favor tenga el vehículo desarmado y listo para ejecutar los pasos de resolución de problemas antes de llamar.



EL CONOCIMIENTO ES PODER

Mejore sus habilidades de instalación y fabricación inscribiéndose en la escuela de dispositivos electrónicos móviles más reconocida y respetada de nuestra industria. Regístrese en www.installerinstitute.com o llame al 800-354-6782 para obtener más información y avance hacia un futuro mejor.



Metra recomienda técnicos con certificación del Programa de Certificación en Electrónica Móvil (Mobile Electronics Certification Program, MECP).